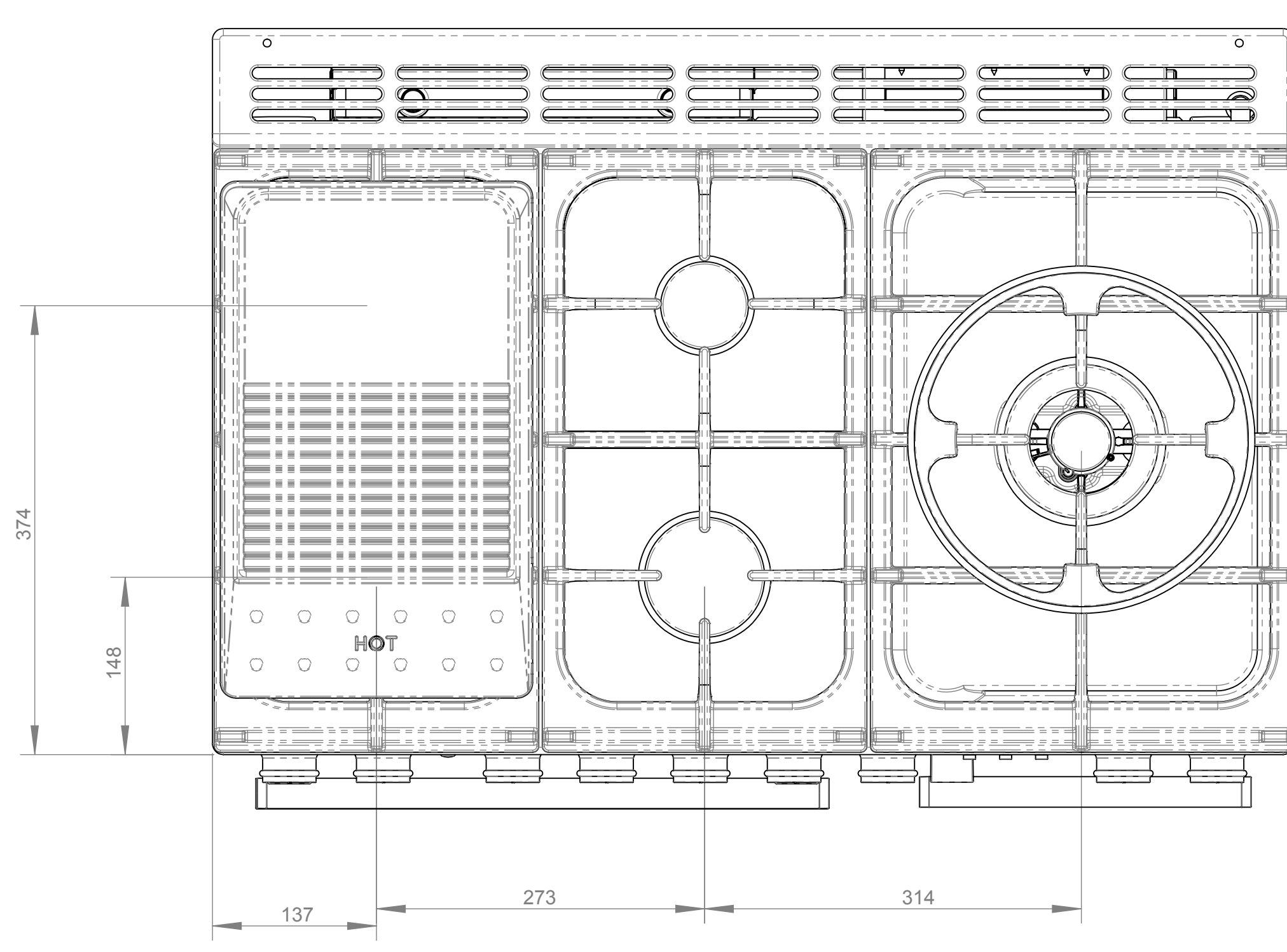
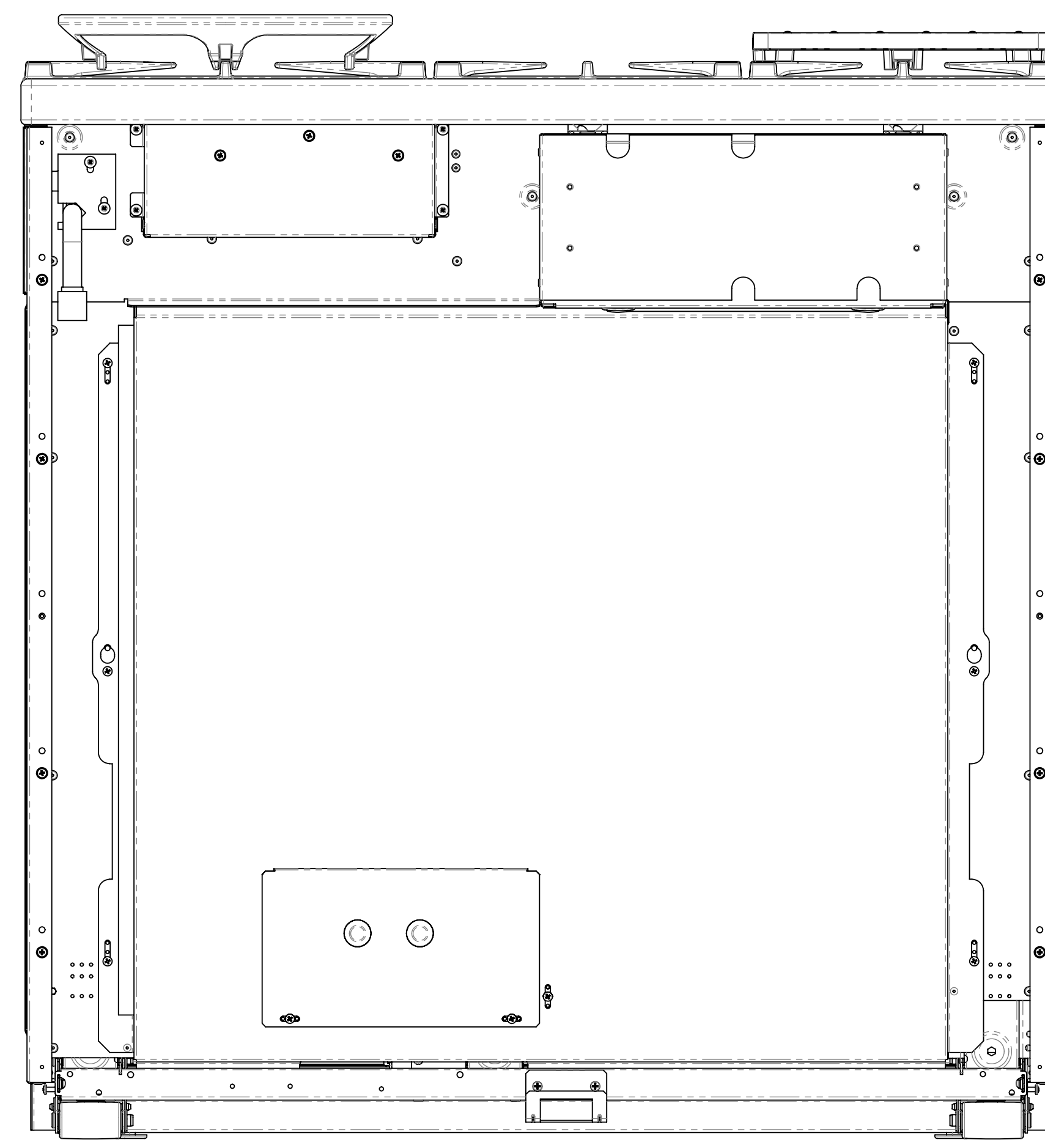
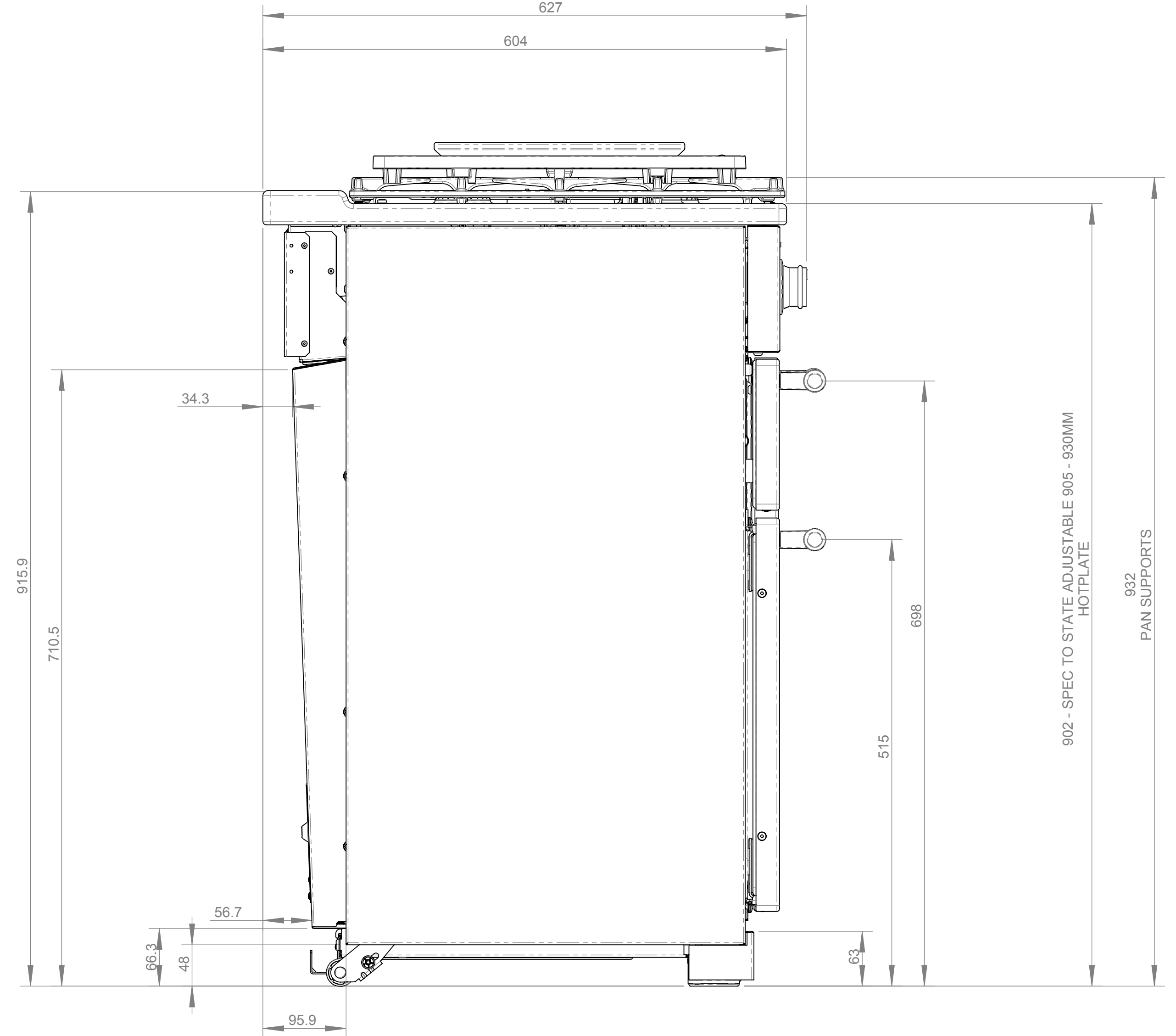
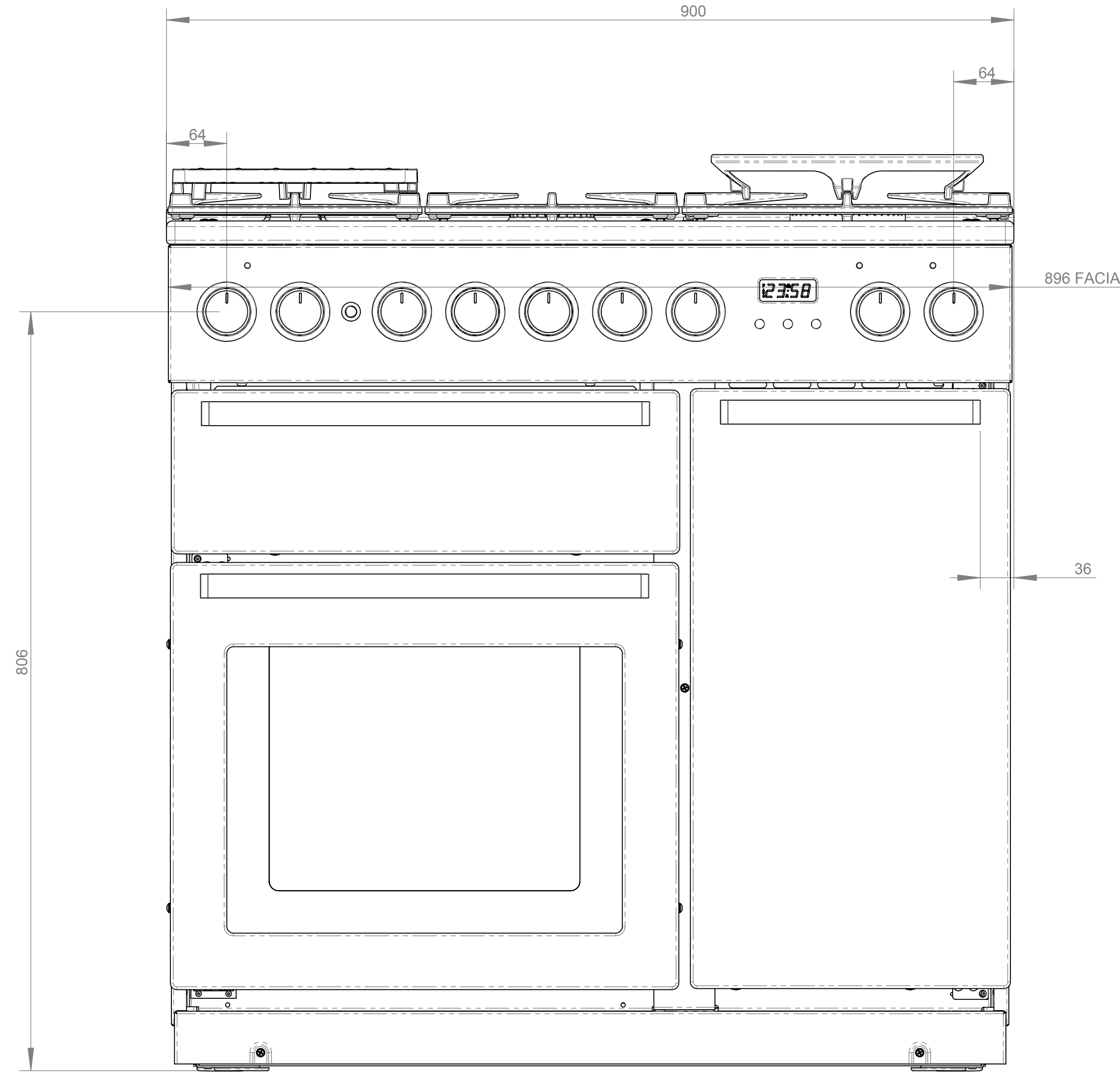
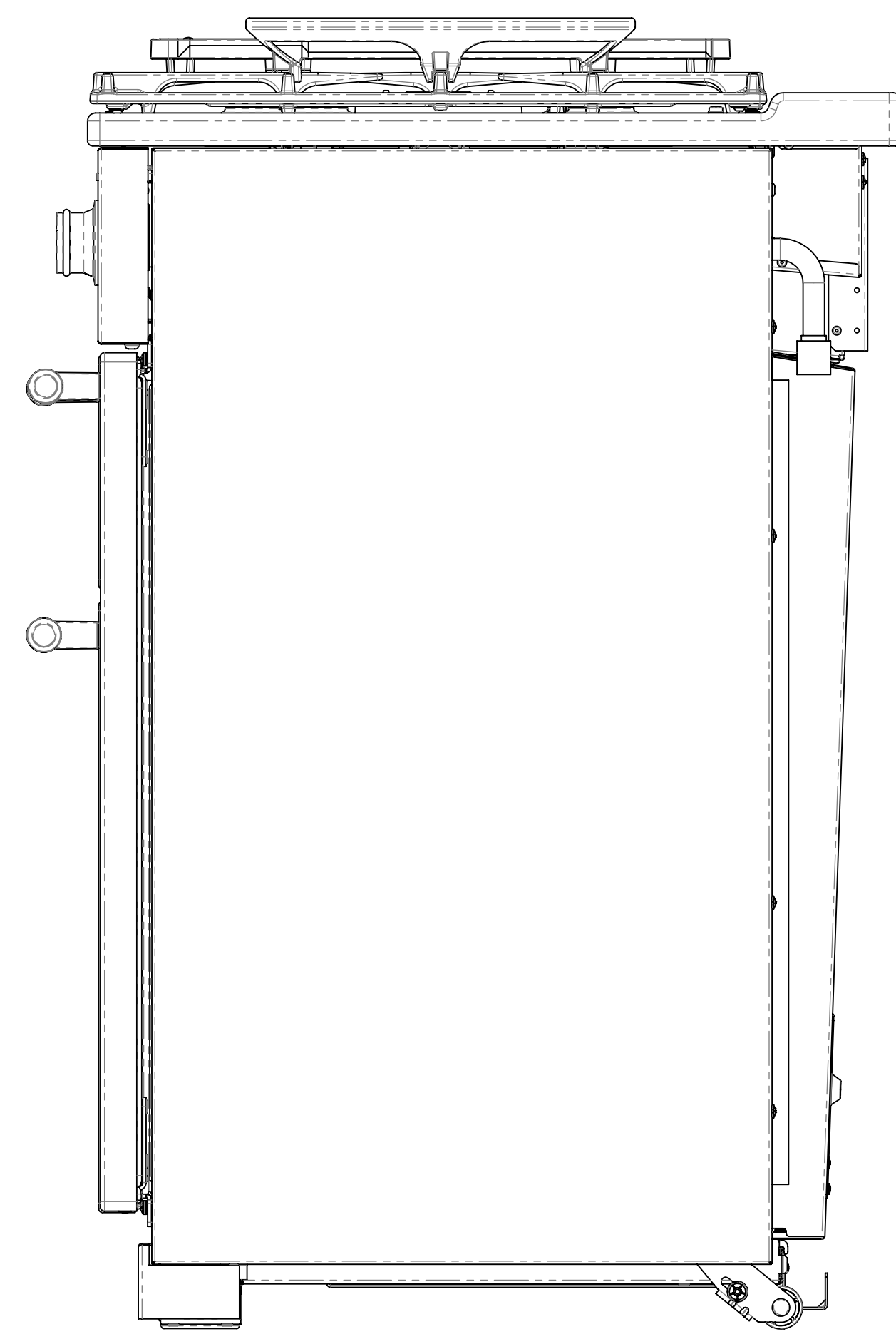


1 2 3 4 5 6 7 8

ISSUE NO & DATE	DETAILS OF CHANGE, MODIFICATION RECORD NUMBER
A 02.10.14	DRAWING FOR REF ONLY
A 23.07.18	DRAWING FOR REF ONLY DJB

A  
B  
C  
D  
E  
F



**NOTES**  
 ALL DIMENSIONS ARE NOMINAL AND ROUNDED TO NEAREST WHOLE NUMBER  
 ALL HEIGHT DIMENSIONS ARE WITH ADJUSTMENT SET TO LOWEST LEVEL  
 PRODUCT HEIGHT CAN BE ADJUSTED BY UPTO 25mm  
 FOR DOCUMENTATION PURPOSES THE COOKER HEIGHT IS ADJUSTABLE FROM 905 - 930mm  
 THIS DRAWING IS FOR REFERENCE ONLY - A PDF COPY IS HELD IN THE APPLIANCE SPECIFICATION AREA & ANY CHANGE TO THIS DRAWING WILL REQUIRE THE PDF TO BE UPDATED ALSO.

**AGA RANGEMASTER**  
 Clarence Street, Royal Leamington Spa  
 Warwickshire CV31 2AD, United Kingdom  
 Telephone: 44 (0)1926 457400  
 Direct Fax: 44 (0)1926 457611  
 Web: www.agarangemaster.co.uk

**DO NOT SCALE OR GUESS. IF IN DOUBT, ASK. ALL MATERIALS MUST COMPLY WITH RoHS & REACH**  
 ALL MATCHING TO BE FREE FROM BURRS.  
 TOLERANCES UNLESS OTHERWISE STATED:  
 ANGULAR: ±30°  
 LINEAR DIMENSIONS: WHOLE NUMBERS ±0.5  
 ONE DECIMAL PLACE ±0.15  
 CIRCULAR HOLES ±0.15  
 CNC BEND RADI: 1.25-2  
 CNC BEND ANGLES: ±2°

PROJECTION

ALL DIMENSIONS IN MILLIMETRES

AG DRAWING BORDER CREATED 01/08/2012 BY DJB

**PLOT SCALE = 70%**  
 MATERIAL AND FINISH SPECIFICATION

THIS DRAWING IS THE PROPERTY OF RANGEMASTER AND REPRODUCTION IN WHOLE OR PART MAY NOT BE MADE WITHOUT THEIR WRITTEN CONSENT.	
DRAWN: DJB	PROJECT: ASSEMBLY
SCALE: 1:1	10468
<b>TITLE</b> NEXUS 90 DF	
<b>PART NUMBER</b> A0010468	