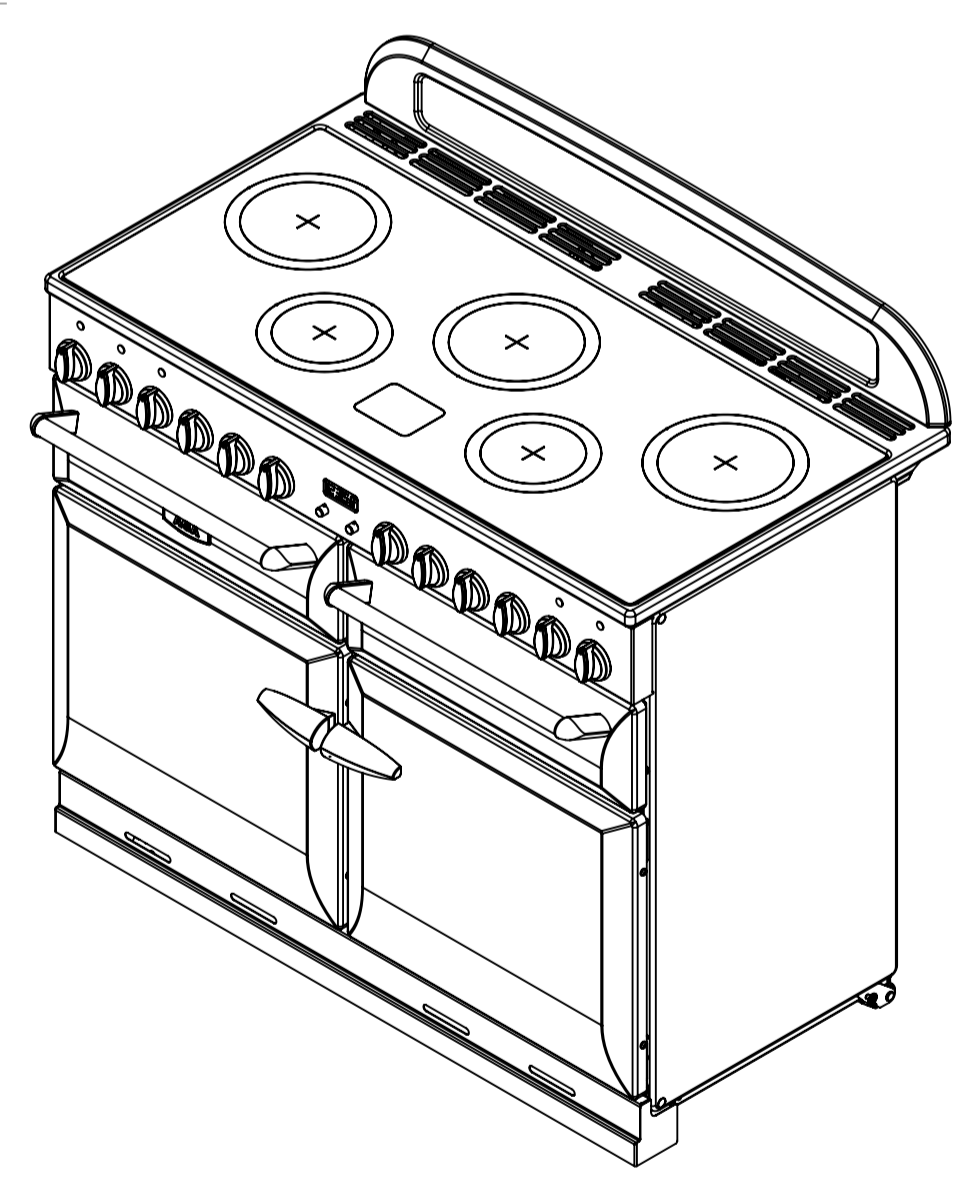
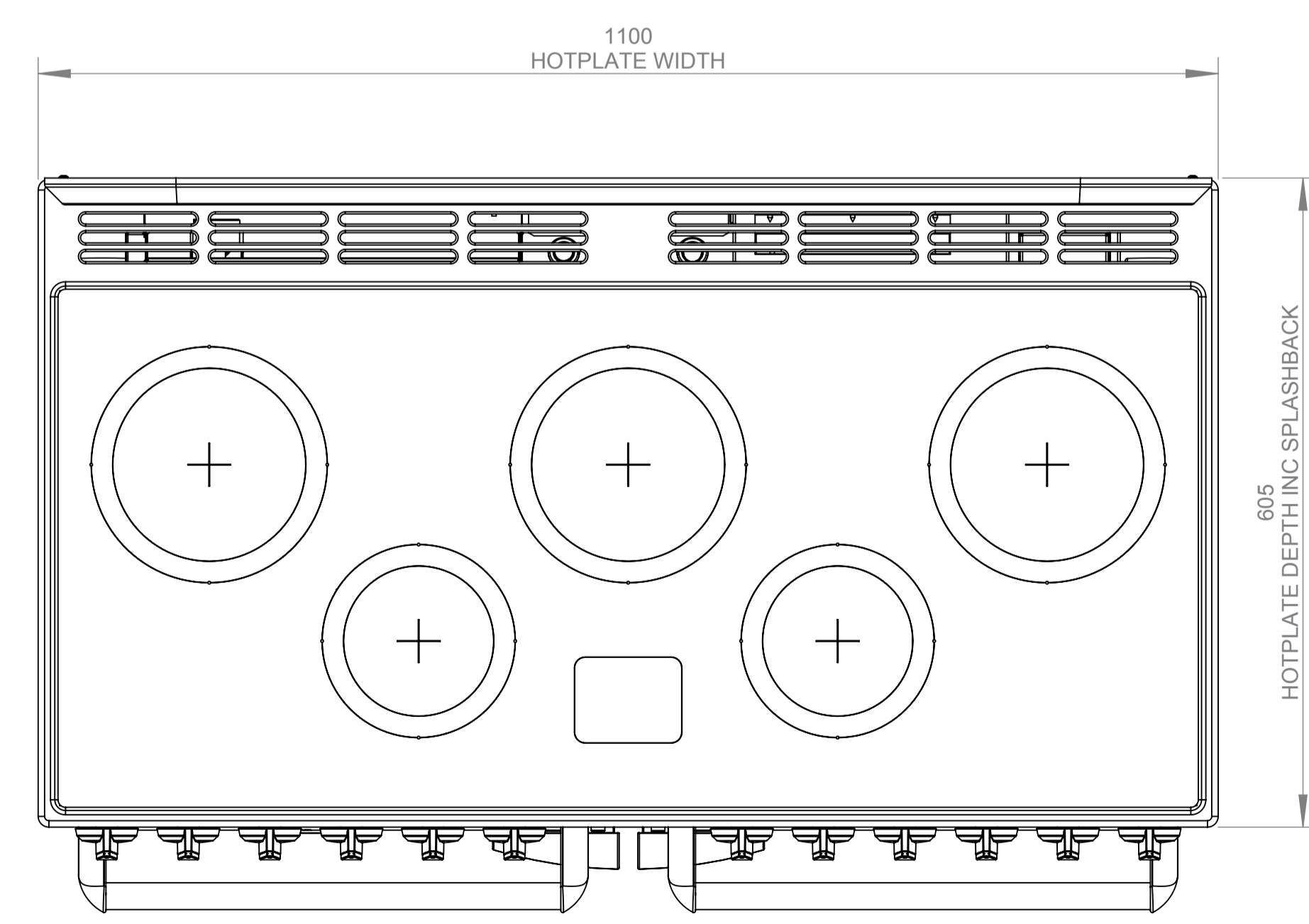
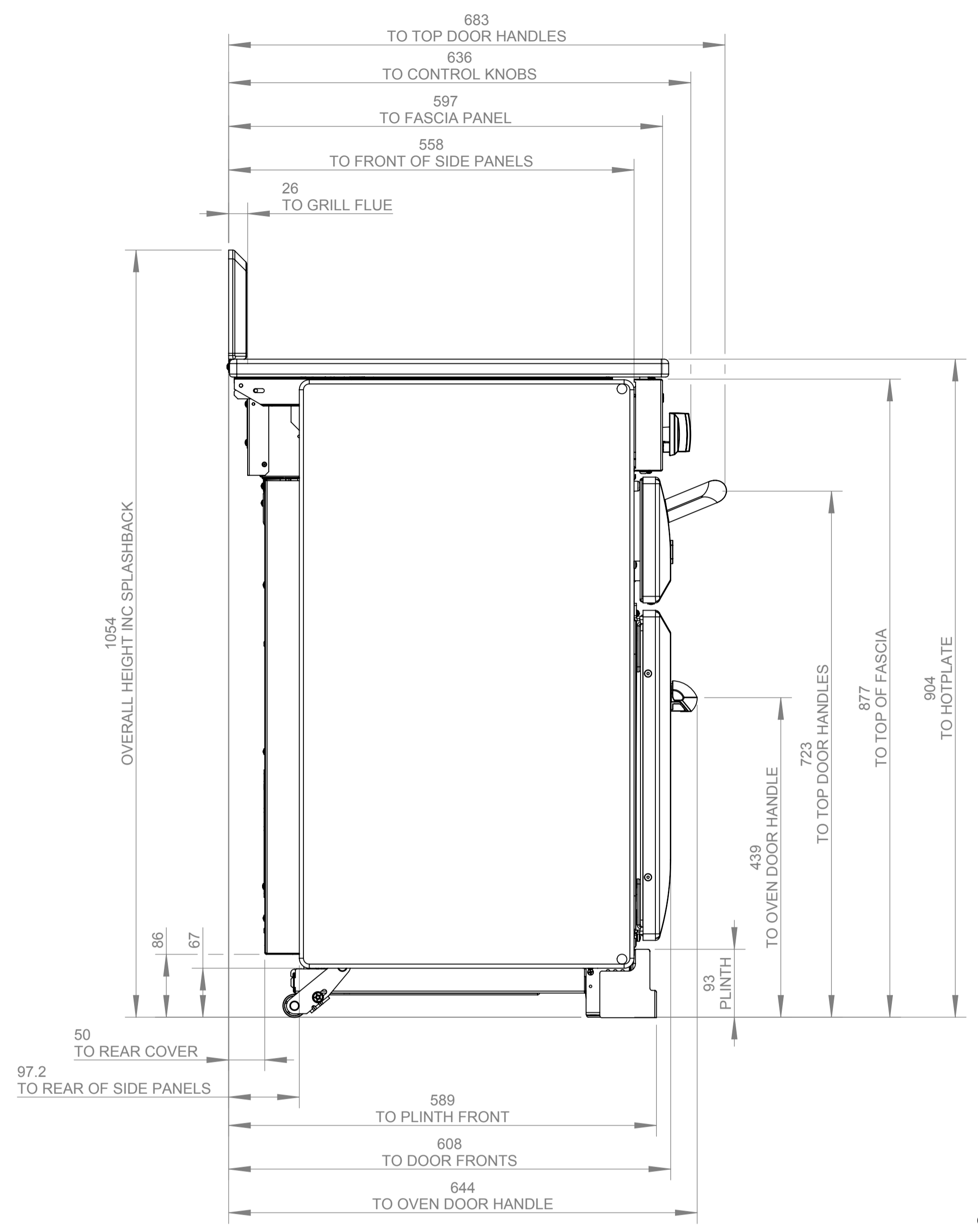
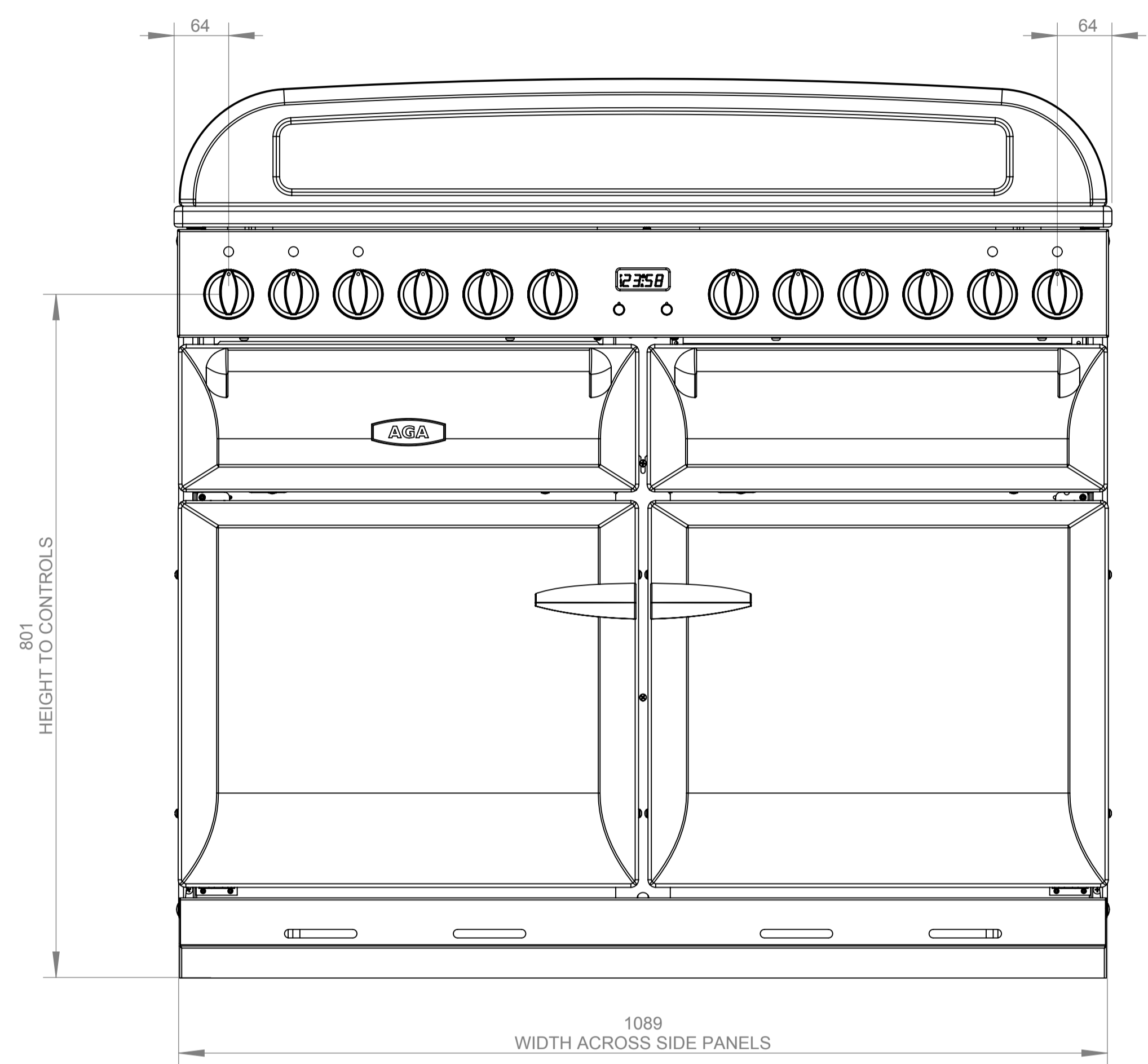


| | |
|-----------------|--|
| 6 | |
| ISSUE No & DATE | DETAILS OF CHANGE, MODIFICATION RECORD NUMBER, ECR NUMBER. |
| A 05.02.16 | DRAWING FOR REFERENCE ONLY |



NOTES

ALL DIMENSIONS ARE NOMINAL AND ROUNDED TO NEAREST WHOLE NUMBER
 ALL HEIGHT DIMENSIONS ARE WITH ADJUSTMENT SET TO LOWEST LEVEL
 PRODUCT HEIGHT CAN BE ADJUSTED BY UPTO 25mm
 FOR DOCUMENTATION PURPOSES THE COOKER HEIGHT IS ADJUSTABLE FROM 905 - 930mm

THIS DRAWING IS FOR REFERENCE ONLY - A PDF COPY IS HELD IN THE APPLIANCE SPECIFICATION AREA & ANY CHANGE TO THIS DRAWING WILL REQUIRE THE PDF TO BE UPDATED ALSO.

AGA RANGEmaster
 Clarence Street, Royal Leamington Spa
 Warwickshire CV31 2AD, United Kingdom
 Telephone: 44 (0)1926 457400
 Direct Fax: 44 (0)1926 457611
 Web: www.agarangemaster.co.uk

DO NOT SCALE OR GUESS. IF IN DOUBT, ASK. ALL MATERIALS MUST COMPLY WITH RoHS & REACH

ALL MACHINING TO BE FREE FROM BURRS.
 TOLERANCES UNLESS OTHERWISE STATED:-
 ANGULAR ±30° WHOLE NUMBERS ±0.5
 LINEAR DIMENSIONS ONE DECIMAL PLACE ±0.15
 CIRCULAR HOLES ±0.15
 CNC BEND RADII 1.25 -0
 CNC BEND ANGLES ±2°

PROJECTION

ALL DIMENSIONS IN MILLIMETRES
 A1 DRAWING BORDER CREATED 01/08/2012 BY D.J.B

| | | | |
|--|-----|----------------|----------|
| THIS DRAWING IS THE PROPERTY OF RANGEMASTER AND REPRODUCTION IN WHOLE OR PART MAY NOT BE MADE WITHOUT THEIR WRITTEN CONSENT. | | | |
| DRAWN | CA | PROJECT | ASSEMBLY |
| SCALE | 1:5 | 9900 | |
| MATERIAL AND FINISH SPECIFICATION | | NOT APPLICABLE | |
| TITLE AGA MASTERCHEF XL 110 INDUCTION | | | |
| PART NUMBER A009900 | | | |