

USER GUIDE & INSTALLATION INSTRUCTIONS

Classic Deluxe 90 Dual Fuel
Kitchener 90 Dual Fuel
Professional+ 90 Dual Fuel
Hi-LITE 90 Dual Fuel

SLOW BAKED LEG OF LAMB



INGREDIENTS

- 2–3 large sprigs of rosemary
- 4 large garlic cloves cut in half lengthways
- 1.8 kg leg of lamb
- 8 good quality anchovy fillets, halved
- 100 ml olive oil
- 250 ml dry red wine
- Maldon salt and freshly ground black pepper

METHOD

1. Preheat the oven to 220 °C (for a conventional oven), 200 °C (for a fan oven) or gas mark 7.
2. Pull the small sprigs off the rosemary branches and set aside with the garlic.
2. Using the tip of a paring knife, make up to 20 well-spaced cuts into the flesh of the lamb, about 2.5 cm inch deep. Divide the rosemary sprigs, garlic and anchovies and push down into the cuts. Place the leg on a large roasting tin and pour over the oil, massaging it all over the joint. Season well with salt and pepper and pour the wine and 250 ml water into the tin.
3. Put into the oven and sear for 15 minutes, then turn the temperature right down to 130 °C (conventional oven), 110 °C (fan oven) or gas mark 1 and roast for 4–5 hours, basting every 30 minutes or so. Basting frequently helps to keep the meat moist and encourages the build up of a good glaze on the outside. Add more liquid (wine or water) if the tin looks dry – there should always be liquid in the tin throughout this cooking process.
4. The meat is ready when it starts to fall off the bone, at which point it should have a core temperature of 90 °C. Remove from the oven, transfer to a warmed carving dish, cover loosely with foil and leave to rest in a warm place for 30–45 minutes before carving.
5. Pour the juices from the tin into a tall hi-ball glass and allow to settle. Spoon the fat from the top of the glass. There should be enough sticky, reduced juices for an intense gravy hit – if not, pour the juices you have back into the roasting tin and put it over the heat, pour in a splash of water or wine and deglaze the tin scraping up all the sticky bits from the base. Boil fast until syrupy, taste and correct the seasoning.

RASPBERRY SOUFFLÉ...



INGREDIENTS

- 400 g raspberries
- 1 tbsp lemon juice
- 100 g caster sugar
- 2 tsp crème de framboise
- 1 tsp cornflour
- 180 g egg whites (about 6)
- Pinch of cream of tartar or a squeeze of lemon juice
- Icing sugar for dusting

METHOD

1. For the soufflé, press the raspberries through a fine sieve to produce 180 g of purée. Put this into a heavy-bottomed pan, add the lemon juice and reduce down to a thick jam, stirring from time to time and being careful not to let it catch and burn.
2. Put 45 g of the sugar in a separate pan. Melt it and then boil until it becomes a thick syrup (121 °C on a sugar thermometer). To test without a thermometer, dip a teaspoon into the syrup and then dip quickly into cold water. You should be able to roll the cooling syrup into a ball between your fingers. Be careful as the syrup is extremely hot. When it has reached the right point, stir the hot syrup into the raspberry jam.
3. Mix the framboise and cornflour together and stir into the jam over the heat. Turn the jam into a small bowl, sprinkle the surface with icing sugar and cover with cling film.
4. Preheat the oven (not grill) to 180 °C shelf level 2 (conventional oven), 160 °C (fan oven) or gas mark 4 centre shelf.
5. Whisk the egg whites with the cream of tartar until you can form soft peaks, then fold in the remaining caster sugar. Lightly fold the whites into the jam, leaving thin traces of white visible in the mixture.
6. Spoon into four large buttered and sugared ramekins, place these on a baking tray and bake for 10 minutes.
7. Dust with icing sugar.

Contents

| | | | |
|--|-----------|---|-----------|
| 1. Before You Start... | 1 | 6. Troubleshooting | 21 |
| Important! | 1 | 7. Installation | 23 |
| Installation and Maintenance | 1 | Dear Installer | 23 |
| Peculiar Smells | 1 | Safety Requirements and Regulations | 23 |
| If You Smell Gas | 1 | Provision of Ventilation | 23 |
| Ventilation | 1 | Location of Cooker | 23 |
| Personal Safety | 1 | Conversion | 23 |
| Cooker Care | 2 | Positioning the Cooker | 25 |
| Cleaning | 2 | Moving the Cooker | 25 |
| 2. Cooker Overview | 3 | Completing the Move | 26 |
| Hotplate Burners | 3 | Fitting the Stability Bracket or Chain | 26 |
| Wok Burner | 4 | Repositioning the Cooker Following Connection | 26 |
| The Wok Cradle (<i>Optional</i>) | 5 | Conversion to Another Gas | 27 |
| The Griddle (<i>Supplied with Hi-LITE and Professional+, optional on other models</i>) | 5 | Levelling | 27 |
| The Grill / Glide-out Grill | 6 | Gas Connection | 27 |
| The Ovens | 7 | Electrical Connection | 28 |
| Fascia Illumination (<i>Hi-LITE only</i>) | 9 | Final Checks | 28 |
| The Clock | 10 | Final Fitting | 29 |
| Accessories | 14 | Customer Care | 29 |
| Main Oven Light | 14 | 8. Circuit Diagram | 30 |
| 3. Cooking Tips | 15 | Circuit Diagram: Classic Deluxe | 30 |
| Tips on Cooking with the Timer | 15 | Circuit Diagram: Professional+ and Kitchener | 31 |
| General Oven Tips | 15 | Circuit Diagram: Hi-LITE | 32 |
| 4. Cooking Table | 16 | 9. Technical Data | 33 |
| 5. Cleaning Your Cooker | 17 | | |
| Essential Information | 17 | | |
| Hotplate Burners | 17 | | |
| Grills | 18 | | |
| Control Panel and Doors | 18 | | |
| Ovens | 19 | | |
| The Tall Oven | 19 | | |
| Cleaning Table | 20 | | |

1. Before You Start...

This User Guide covers a number of different models. Although some of the illustrations will look different to your particular model the functions will be the same. We hope the meaning is clear.

Your cooker should give you many years of trouble-free cooking if installed and operated correctly. It is important that you read this section before you start, particularly if you have not used a dual fuel cooker before.

Important!

⚠ This appliance is designed for domestic cooking only. Using it for any other purpose could invalidate any warranty or liability claim. In particular, the oven should NOT be used for heating the kitchen – besides invalidating claims this wastes fuel and may overheat the control knobs.

Installation and Maintenance

In the UK, the cooker must be installed by a Gas Safe registered engineer. Otherwise, all installations must be in accordance with the relevant instructions in this booklet, with the relevant national and local regulations, and with the local gas and electricity supply companies' requirements.

Make sure that the gas supply is turned on and that the cooker is wired in and switched on (the cooker needs electricity).

Set the clock to make sure that the oven is functional – see the relevant section in this manual.

Only a qualified service engineer should service the cooker, and only approved spare parts should be used.

Always allow the cooker to cool and then switch it off at the mains before cleaning or carrying out any maintenance work, unless specified otherwise in this guide.

Peculiar Smells

When you first use your cooker it may give off an odour. This should stop after use.

Before using your cooker for the first time, make sure that all packing materials have been removed and then, to dispel manufacturing odours, turn all the ovens to 200 °C and run for at least an hour.

Before using the grill for the first time you should also turn on the grill and run for 30 minutes with the grill pan in position, pushed fully back, and the grill door open.

Make sure the room is well ventilated to the outside air (see 'Ventilation' below). People with respiratory or allergy problems should vacate the area for this brief period.

If You Smell Gas

- DO NOT turn electric switches on or off
- DO NOT smoke
- DO NOT use naked flames
- DO turn off the gas at the meter or cylinder
- DO open doors and windows to get rid of the gas
- DO keep people away from the area affected
- Call your gas supplier

Ventilation

⚠ CAUTION: The use of a gas cooking appliance results in the production of heat and moisture in the room in which it is installed. Therefore, make sure that the kitchen is well ventilated: keep natural ventilation holes open or install a powered cooker hood that vents outside. If you have several burners on, or use the cooker for a long time, open a window or turn on an extractor fan.

Personal Safety

⚠ DO NOT modify this appliance.

⚠ This appliance can be used by children aged from 8 years and above and persons with reduced physical, sensory or mental capabilities or lack of experience and knowledge if they have been given supervision or instruction concerning use of the appliance in a safe way and understand the hazards involved. Children shall not play with the appliance. Cleaning and user maintenance shall not be made by children without supervision.

⚠ WARNING: The appliance and its accessible parts become hot during use and will retain heat even after you have stopped cooking. Care should be taken to avoid touching heating elements. Children less than 8 years of age shall be kept away unless continuously supervised.

⚠ This appliance is not intended for use by young children or infirm persons unless they have been adequately supervised by a responsible person to make sure that they can use the appliance safely.

⚠ CAUTION: A long term cooking process has to be supervised from time to time. A short term cooking process has to be supervised continuously.

⚠ Danger of fire: DO NOT store items on the cooking surfaces.

⚠ To avoid overheating, DO NOT install the cooker behind a decorative door.

⚠ Accessible parts will become hot during use and will retain heat even after you have stopped cooking. Keep babies and children away from the cooker and never wear loose-fitting or hanging clothes when using the appliance.

⚠ DO NOT use a steam cleaner on your cooker.

Always be certain that the controls are in the OFF position when the oven is not in use, and before attempting to clean the cooker.

⚠ When the oven is on, DO NOT leave the oven door open for longer than necessary, otherwise the control knobs may become very hot.

⚠ When using the grill, make sure that the grill pan is in position and pushed fully in, otherwise the control knobs may become very hot.

⚠ DO NOT use harsh abrasive cleaners or sharp metal scrapers to clean the oven door glass or glass lid since they can scratch the surface, which may result in shattering of the glass.

Always keep combustible materials, e.g. curtains, and flammable liquids a safe distance away from your cooker.

⚠ DO NOT spray aerosols in the vicinity of the cooker while it is on.

Use dry oven gloves when applicable – using damp gloves might result in steam burns when you touch a hot surface. Do not use a towel or other bulky cloth in place of a glove – it might catch fire if brought into contact with a hot surface.

⚠ NEVER operate the cooker with wet hands.

⚠ DO NOT use aluminium foil to cover shelves, linings or the oven roof.

⚠ DO NOT use hotplate protectors, foil or hotplate covers of any description. These may affect the safe use of your hotplate burners and are potentially hazardous to health.

⚠ NEVER heat unopened food containers. Pressure build up may make the containers burst and cause injury.

⚠ DO NOT use unstable saucepans. Always make sure that you position the handles away from the edge of the hotplate.

⚠ DO NOT use cooking vessels on the hotplate that overlap the edges.

Never leave the hotplate unattended at high heat settings. Pans boiling over can cause smoking, and greasy spills may catch on fire. Use a deep fat thermometer whenever possible to prevent fat overheating beyond the smoking point.

**⚠ WARNING!
Unattended cooking on a hob with fat or oil can be dangerous and may result in fire.**

⚠ NEVER leave a chip pan unattended. Always heat fat slowly, and watch as it heats. Deep fry pans should be only one third full of fat. Filling the pan too full of fat can cause spill over when food is added. If you use a combination of oils or fats in frying, stir them together before heating, or as the fats melt.

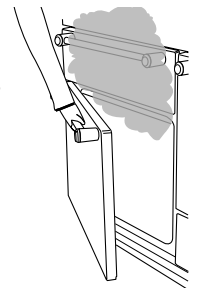
Foods for frying should be as dry as possible. Frost on frozen foods or moisture on fresh foods can cause hot fat to bubble up and over the sides of the pan. Carefully watch for spills or overheating of foods when frying at high or medium high temperatures. Never try to move a pan of hot fat, especially a deep fat fryer. Wait until the fat is cool.

Do not use the top of the flue (the slots along the back of the cooker) for warming plates, dishes, drying tea towels or softening butter.

⚠ DO NOT use water on grease fires and never pick up a flaming pan. Turn the controls off and then smother a flaming pan on a surface unit by covering the pan completely with a well fitting lid or baking tray. If available, use a multi-purpose dry chemical or foam-type fire extinguisher.

Cooking high moisture content foods can create a 'steam burst' when the oven door is opened. When opening the oven stand well back and allow any steam to disperse.

Take care that no water seeps into the appliance.



⚠ This appliance is heavy so take care when moving it.

⚠ The appliance is not intended to be operated by means of external timer or separated remote-control system.

Cooker Care

As steam can condense to water droplets on the cool outer trim of the oven, it may be necessary during cooking to wipe away any moisture with a soft cloth. This will also help to prevent soiling and discolouration of the oven exterior by cooking vapours.

Cleaning

In the interests of hygiene and safety, the cooker should be kept clean at all times as a build up in fats and other food stuff could result in a fire.

Clean only the parts listed in this guide.

Clean with caution. If a wet sponge or cloth is used to wipe spills on a hot surface, be careful to avoid steam burns. Some cleaners can produce noxious fumes if applied to a hot surface.

2. Cooker Overview



The 90 dual fuel cooker (**Fig.2-1**) has the following features:

- A.** 5 hotplate burners including a wok burner
- B.** A control panel
- C.** A grill or glide-out grill
- D.** A main programmable fan oven (*Kitchener, Hi-LITE, Professional+*) or a multi-function oven (*Classic Deluxe*)
- E.** Tall fan oven

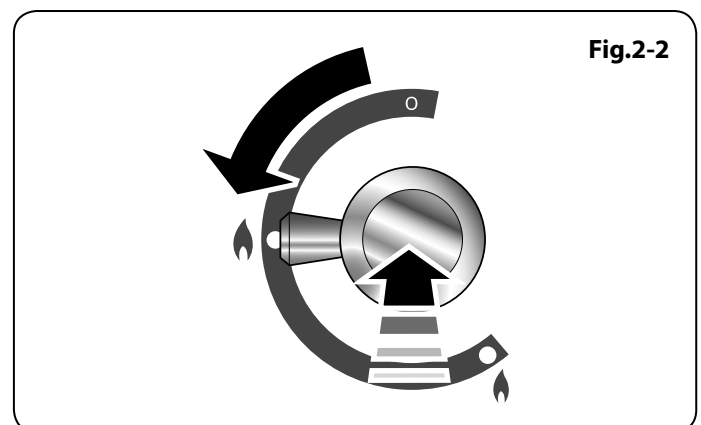
Hotplate Burners

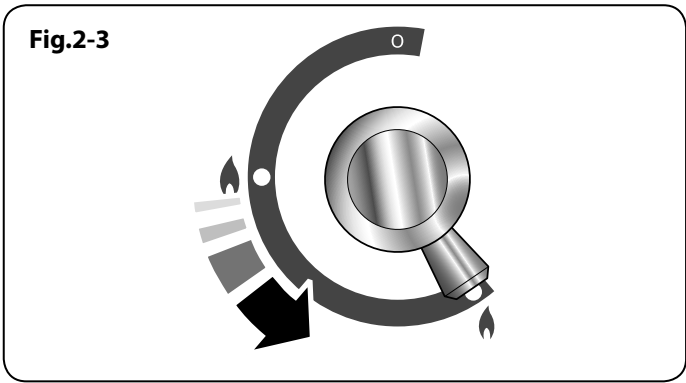
The drawing by each of the central knobs indicates which burner that knob controls. Each burner has a Flame Supervision Device (FSD) that prevents the flow of gas if the flame goes out.

When the igniter button (or the control knob on the Classic Deluxe) is pressed in, sparks will be made at every burner – this is normal. Do not attempt to disassemble or clean around any burner while another burner is on, otherwise an electric shock could result.

To light a burner, press the igniter button, and push in and turn the associated control knob to the high position as indicated by the large flame symbol (🔥), (**Fig.2-2**).

Note: On the Classic Deluxe, simply push in and turn the control knob.



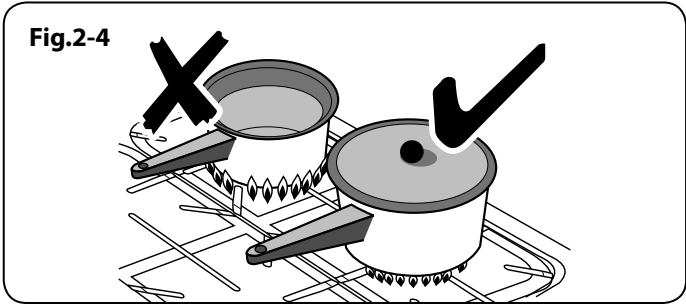


The igniter should spark and light the gas. Keep holding the knob pressed in to let the gas through to the burner for about ten seconds.

If, when you let go of the control knob, the burner goes out, then the FSD has not been bypassed. Turn the control knob to the OFF position and wait for one minute before you try again, this time making sure to hold in the control knob for slightly longer.

Adjust the flame height to suit by turning the knob counter-clockwise (**Fig.2-3**).

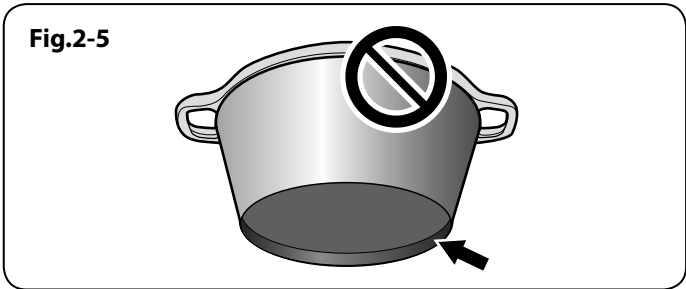
If a burner flame goes out, turn off the control knob and leave it for one minute before relighting it.



Make sure that the flames are under the pans. Using a lid will help the contents boil more quickly (**Fig.2-4**).

Large pans should be spaced well apart.

Pans and kettles with concave bases or down-turned base rims should not be used (**Fig.2-5**).

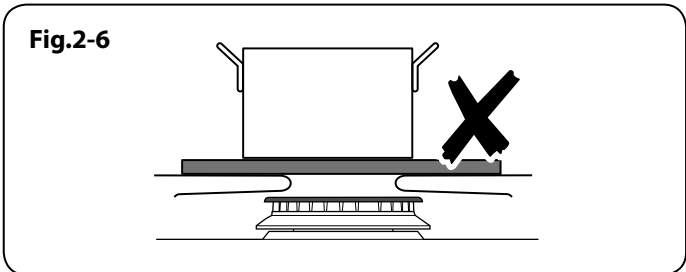


Simmering aids, such as asbestos or mesh mats, are NOT recommended (**Fig.2-6**). They will reduce burner performance and could damage the pan supports.

You should also avoid using unstable and misshapen pans that may tilt easily, and pans with a very small base diameter, e.g. milk pans, single egg poachers (**Fig.2-7**).

The minimum recommended pan diameter is 120 mm. The maximum allowable pan base diameter is 260 mm.

DO NOT use cooking vessels on the hotplate that overlap the edges.



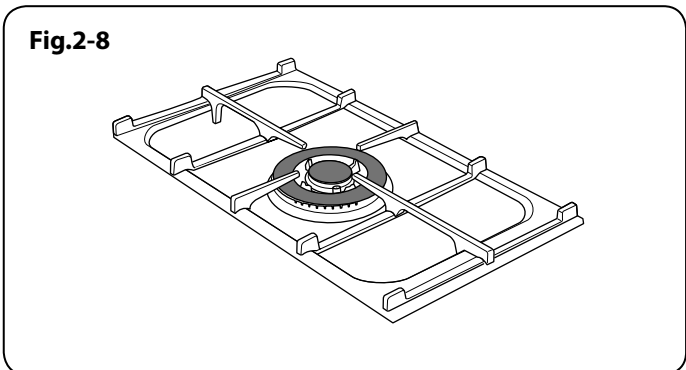
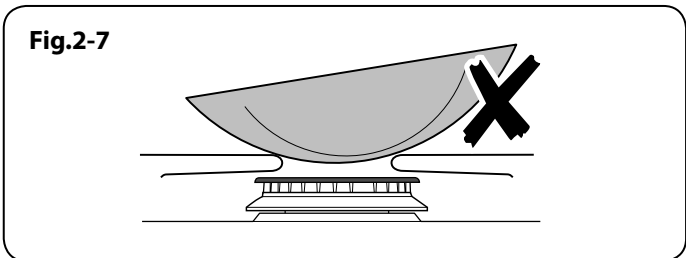
Wok Burner

The wok burner is designed to provide even heat over a large area. It is ideal for large pans and stir-frying (**Fig.2-8**).

For heating smaller pans, the aforementioned hotplate burners may be more efficient.

You should wipe the enamel top surface of the cooker around the hotplate burners as soon as possible after spills occur. Try to wipe them off while the enamel is still warm.

Note: The use of aluminium pans may cause metallic marking of the pan supports. This does not affect the durability of the enamel and may be cleaned off with an appropriate metal cleaner.



The Wok Cradle (Optional)

The wok cradle is designed to fit a Professional 35 cm wok. If you use a different wok, make sure that it fits the cradle. Woks vary very widely in size and shape. It is important that the wok sits down on the pan support – however, if the wok is too small, the cradle will not support it properly (Fig.2-9).

The cradle should be used on the wok burner only. When you fit the cradle (Fig.2-10), check that it is properly located on the pan supports and that the wok is sitting level in the cradle.

The cradle will get very hot in use – allow plenty of time for it to cool before you pick it up.

The Griddle (Supplied with Hi-LITE and Professional+, optional on other models)

The griddle fits the left-hand pan support, front to back (Fig.2-11). It is designed for cooking food on directly. DO NOT use pans of any kind on it. The griddle surface is non-stick and metal cooking utensils (e.g. spatulas) will damage the surface. Use heat resistant plastic or wooden utensils.

⚠ DO NOT put it crossways – it will not fit properly and will be unstable (Fig.2-12).

⚠ DO NOT put it on any other burner – it is not designed to fit in any of the other pan supports.

Position the griddle over the hotplate burners resting on the pan support. Check that it is securely located.

The griddle can be lightly brushed with cooking oil before use (Fig.2-13). Light the hotplate burners. Adjust the flame heights to suit.

Preheat the griddle for a **maximum of 5 minutes** before adding food. Leaving it longer may cause damage. Turn the control knobs towards the low position, marked with the small flame symbol, to reduce the burner flames.

⚠ Always leave space around the griddle for the gases to escape.

⚠ NEVER fit two griddles side by side (Fig.2-14).

After cooking, allow the griddle to cool before cleaning.

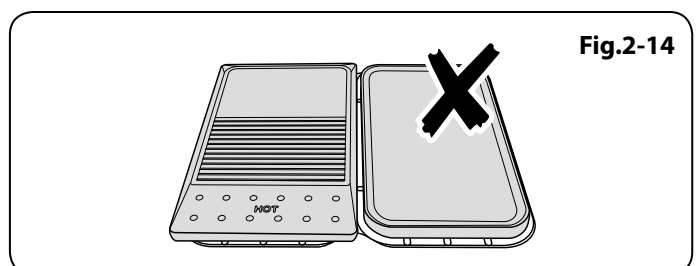
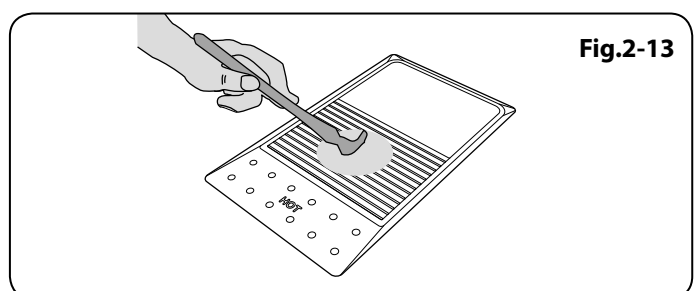
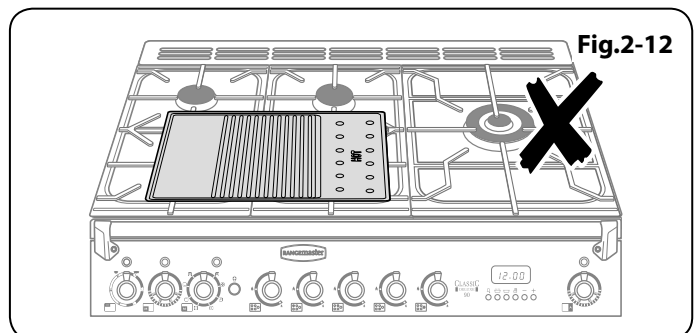
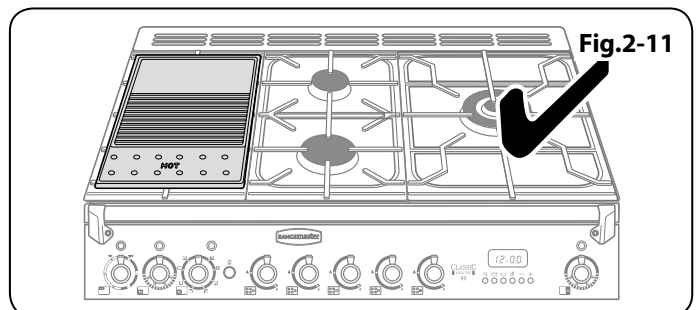
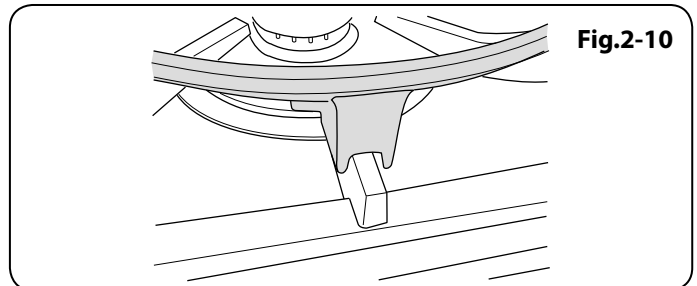
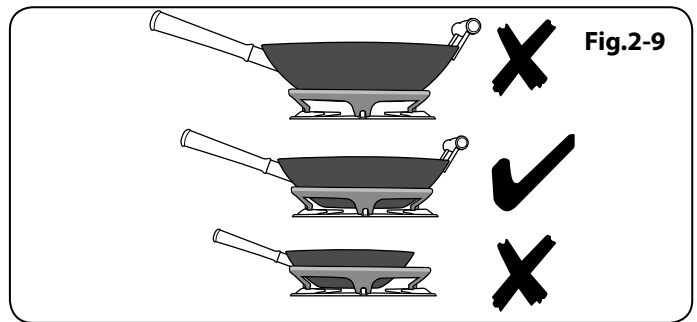


Fig.2-15

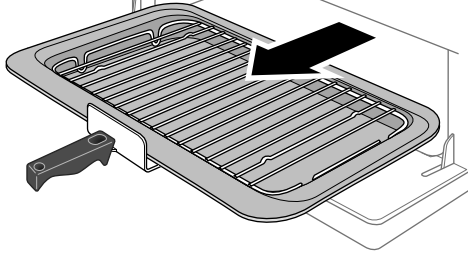


Fig.2-16

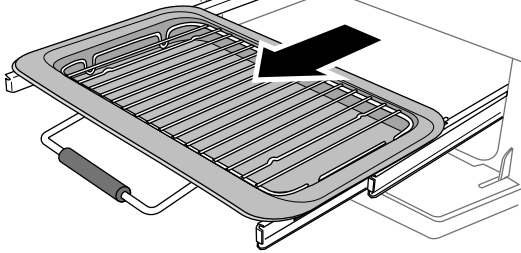


Fig.2-17

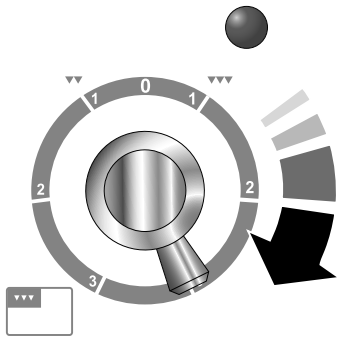
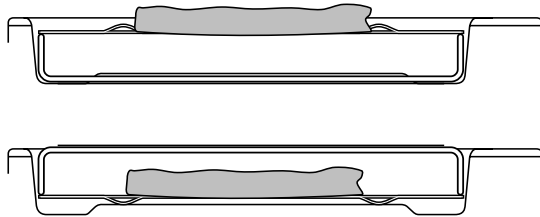


Fig.2-18



The Grill / Glide-out Grill

Open the door and pull the grill pan (Fig.2-15) or carriage (Fig.2-16) forward using the handle.

The grill has two elements that allow either the whole area of the pan to be heated or just the right-hand half.

Adjust the heat to suit by turning the knob. To heat the whole grill, turn the knob clockwise (Fig.2-17).

To heat the right-hand half, turn the knob counter-clockwise. The neon indicator light by the grill control will come on.

For best results, leave the grill pan in the grill chamber and preheat the appropriate part(s) of the grill for two minutes. The grill trivet can be removed and the food placed on it while you are waiting for the grill to preheat.

⚠ DO NOT leave the grill on for more than a few moments, without the grill pan underneath it, otherwise the knobs may become hot.

Once the grill has preheated, take the grill pan out again and put the trivet back in place with the food on it. Slide the grill pan or carriage back into the grill chamber. Make sure that it is pushed right in.

⚠ Accessible parts may be hot when the grill is in use. Young children should be kept away.

The grill pan trivet can be turned over to give two grilling positions (Fig.2-18).

⚠ Never close the grill door when the grill is on.

The Ovens

The clock must be set to the time of day before the left-hand oven will work. See the following section on 'The Clock' for instructions on setting the time of day.

References to 'left-hand' and 'right-hand' ovens apply as viewed from the front of the appliance.

The left-hand oven is either a fan oven or a multi-function oven, depending on model.

The right-hand tall oven is a fan oven.

Fan ovens circulate hot air continuously, which means faster, more even cooking. The recommended cooking temperatures for a fan oven are generally lower than those for a non-fan oven.

Multi-function ovens have an oven fan and oven fan element, as well as two extra heating elements. One element is in the top of the oven and the second is under the oven base. Take care to avoid touching the top element and element deflector when placing or removing items from the oven.

The multi-function oven has 3 main cooking functions: **fan**, **fan assisted** and **conventional cooking**. These functions should be used to complete most of your cooking.

The **browning element** and **base heat** can be used in the latter part of the cooking process to fine tune the results to your particular requirements.

Use **fanned grilling** for all your grilling needs and **defrost** to safely thaw small items of frozen food.

Table 2-1 gives a summary of the multi-function modes.

The multi-function oven has many varied uses. We suggest you keep a careful eye on your cooking until you are familiar with each function. Remember, not all functions will be suitable for all food types.

| Function | Use |
|--------------------------|---|
| Rapid response | To quickly heat up the oven |
| Defrost | To thaw small items in the oven without heat |
| Fan oven | A full cooking function, even heat throughout, great for baking |
| Fanned grilling | Grilling meat and fish with the door closed |
| Fan assisted | A full cooking function good for roasting and baking |
| Conventional oven | A full cooking function for roasting and baking in the lower half of the oven |
| Browning element | To brown and crisp cheese topped dishes |
| Base heat | To crisp up the bases of quiche, pizza or pastry |

Table 2-1

Multi-function Oven Functions (Classic Deluxe only)

Rapid Response



The Rapid Response setting enables you to preheat the oven faster than normal. It uses the fan oven element with additional heat from one of the elements in the top of the oven. Fan ovens heat up quickly; but the Rapid Response feature speeds this process up enabling you to start cooking sooner.

To use the Rapid Response feature, turn the function control knob to **R** and set the temperature required. The light on the control panel next to the function control will come on.

When the required temperature is reached the top element will switch off and the light will go out.

The oven temperature is then maintained by the fan oven element and fan. Should you choose to place food into the cold oven prior to cooking while using the Rapid Response function, make sure that cakes, etc. are not positioned too near the top of the oven.

Fan Oven



This function operates the fan and the heating element around it. An even heat is produced throughout the oven, allowing you to cook large amounts quickly.

Fan oven cooking is particularly suitable for baking on several shelves at one time and is a good 'all-round' function. It may be necessary to reduce the temperature by approximately 10°C for recipes previously cooked in a conventional oven.

If you wish to preheat the oven, wait until the indicator light has gone out before inserting the food.

Fanned Grilling



This function operates the fan whilst the top element is on. It produces a more even, less fierce heat than a conventional grill. For best results, place the food to be grilled, on a trivet over a roasting tin, which should be smaller than a conventional grill pan. This allows greater air circulation. Thick pieces of meat or fish are ideal for grilling in this way, as the circulated air reduces the fierceness of the heat from the grill.

The oven door should be kept closed while grilling is in progress, so saving energy.

You will also find that the food needs to be watched and turned less than for normal grilling. Preheat this function before cooking.

For best results we recommend that the grill pan is not located on the uppermost shelf.

Fan Assisted Oven



This function operates the fan, circulating air heated by the elements at the top and the base of the oven. The combination of fan and conventional cooking (top and base heat) makes this function ideal for cooking large items that need thorough cooking, such as a large meat roast.

It is also possible to bake on two shelves at one time, although they will need to be swapped over during the cooking time, as the heat at the top of the oven is greater than at the base, when using this function.

This is a fast intensive form of cooking; keep an eye on the food cooking until you have become accustomed to this function.

Conventional Oven (Top and Base Heat)



This function combines the heat from the top and base elements. It is particularly suitable for roasting and baking pastry, cakes and biscuits.

Food cooked on the top shelf will brown and crisp faster than on the lower shelf, because the heat is greater at the top of the oven than at the base, as in 'Fan assisted oven' function. Similar items being cooked will need to be swapped around for even cooking. This means that foods requiring different temperatures can be cooked together, using the cooler zone in the lower half of the oven and hotter area to the top.

The exposed top element may cook some foods too quickly, so we recommend that the food be positioned in the lower half of the oven to cook. The oven temperature may also need to be lowered.

Browning Element



This function uses the element in the top of the oven only. It is a useful function for the browning or finishing of pasta dishes, vegetables in sauce, shepherds pie and lasagne, the item to be browned being already hot before switching to the top element.

Base Heat



This function uses the base element only. It will crisp up your pizza or quiche base or finish off cooking the base of a pastry case on a lower shelf. It is also a gentle heat, good for slow cooking of casseroles in the middle of the oven or for plate warming.

The Browning and Base Heat functions are useful additions to your oven, giving you flexibility to finish off items to perfection.

Defrost



This function operates the fan to circulate cold air only. Make sure the temperature control is at 0°C and that no heat is applied. This enables small items such as desserts, cream cakes and pieces of meat, fish and poultry to be defrosted.

Defrosting in this way speeds up the process and protects the food from flies. Pieces of meat, fish and poultry should be placed on a shelf, over a tray to catch any drips. Be sure to wash the shelf and tray after defrosting.

Defrost with the oven door closed.

Large items, such as whole chickens and joints should not be defrosted in this way. We recommend this be carried out in a refrigerator.

Defrosting should not be carried out in a warm oven or when an adjoining oven is in use or still warm.

Make sure that dairy foods, meat and poultry are completely defrosted before cooking.

Operating the Ovens

Fan Oven

Turn the oven knob to the desired temperature (**Fig.2-19**).

The oven indicator light will glow until the oven has reached the temperature selected. It will then cycle on and off during cooking.

Multi-function Oven

The multi-function oven has two controls: a function selector and a temperature setting knob (**Fig.2-20**).

Turn the function selector control to a cooking function. Turn the oven temperature knob to the temperature required (**Fig.2-19**).

The oven heating light will glow until the oven has reached the temperature you selected. It will then cycle on and off during cooking.

Fascia Illumination (Hi-LITE only)

To turn on the fascia illumination panel simply push the button in (**Fig.2-21**). To turn this feature off, push the button once more.

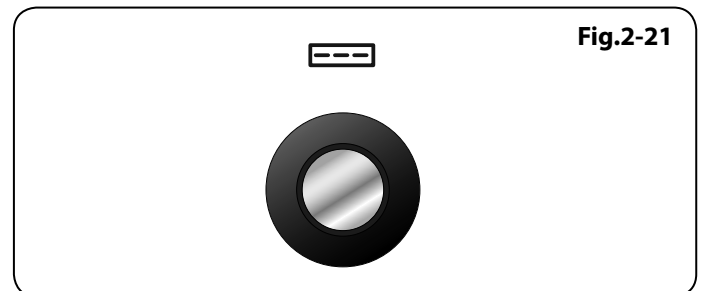
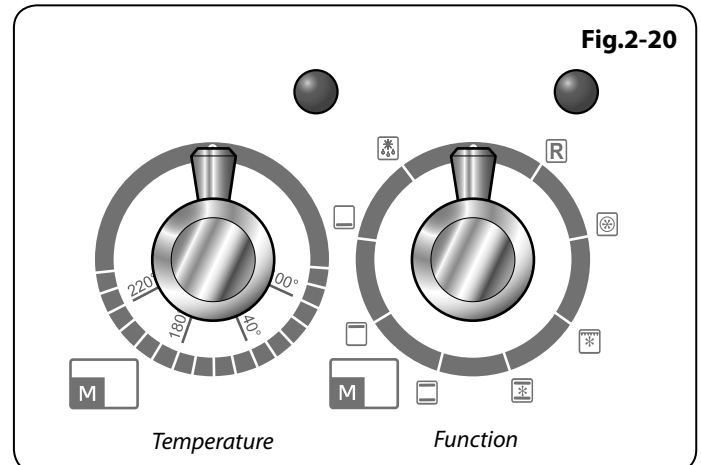
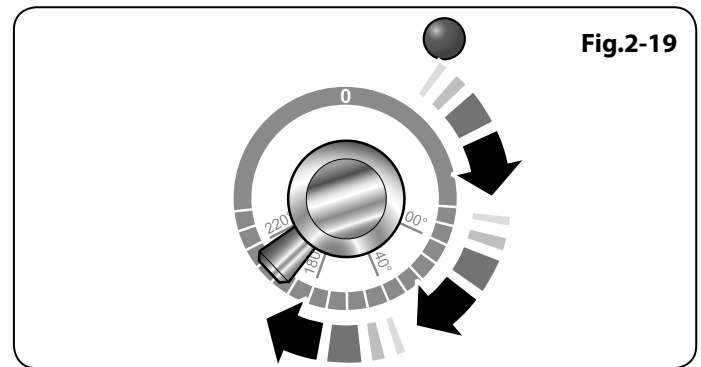
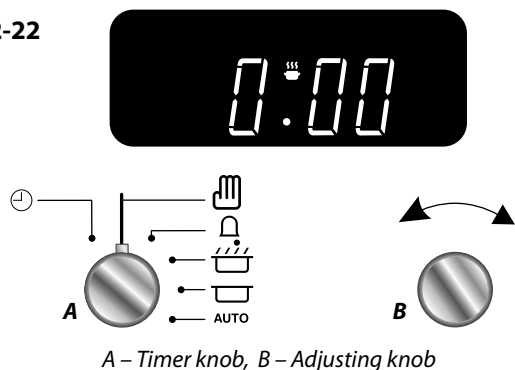


Fig.2-22



The Clock

You can use the clock to turn the left-hand oven on and off. **The clock must be set to the time of day before the oven will work.**

Note: When using the timer functions, first set the clock as required before setting the oven temperature and selecting the oven function (multi-function ovens only).

The 2-button Clock (Professional+ and Hi-LITE)

Setting the Time of Day

The 2-button LCD clock is shown in (Fig.2-22). When the clock is first connected, the display flashes (0.00) and () alternately.

To set the time, turn and hold the Timer knob to the clock symbol [⌚] and at the same time turn the Adjusting knob left or right until the clock shows the time of day. Remember this is a 24-hour clock. Let go of the Timer knob and it will spring back to the vertical, oven manual setting.

IMPORTANT: The left-hand oven will not operate unless the clock has been set.

Setting the Minute Minder

To activate the minute minder turn the Timer knob to the right to the [⌚] minute minder setting – it should click into position (Fig.2-23).

Rotate the Adjusting knob to set the time required (Fig.2-24).

You can either turn the knob back to the vertical manual setting [⌚] to keep an eye on the time of day, or leave it in the [⌚] minute minder position as the time ticks down.

To stop the beeper when it sounds, turn the Adjusting knob counter-clockwise.

- The 'cook period', which is the length of time you want the oven to cook for.
- The 'stop time', which is the time of day you want the oven to stop cooking.

To Stop the Oven at a Specific Time of Day

Turn the Timer knob to the [⌚] position (Fig.2-25).

Use the Adjusting knob to set the 'stop time'. You can set the oven to turn on at any time over the following 24-hour period. AUTO shows in the display (Fig.2-26).

Turn the Timer knob to the bottom 'AUTO' setting to return to the clock display.

Once the 'stop time' is reached, the beeper sounds. Turn the Timer knob to the vertical [⌚] to return to manual cooking.

To Start and Then Stop the Oven Using the Timer

You cannot set a start time directly – this is set automatically by a combination of the 'cook time' and 'stop time'.

Turn the Timer knob to the [⌚] position (Fig.2-27).

Turn the Adjusting knob to set the 'cooking time' you need (Fig.2-28).

Fig.2-23

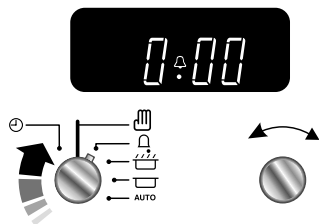


Fig.2-24

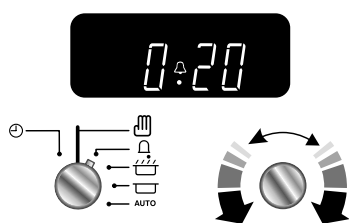


Fig.2-25

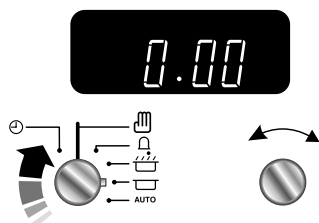


Fig.2-26

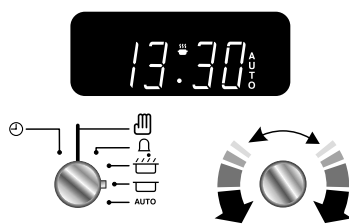


Fig.2-27

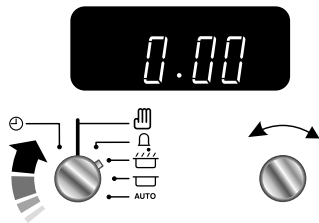
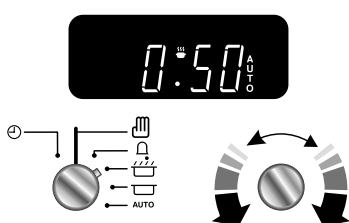


Fig.2-28



Turn the Timer knob to the [☐] position. The display will show the current time of day plus the 'cook time' you just set. Use the Adjusting knob to set the 'stop time' required (Fig.2-29).

The 'stop time' is displayed, followed by 'AUTO'. Set the oven to the cooking temperature you need. Turn the Timer knob to the 'Auto' setting.

When your cooking is finished, the beeper sounds. Turn the Timer knob to the vertical [⏏] to return to manual cooking.

If you are out, do not worry about the beeper going off – it stops on its own after a while. When you return, turn the Timer knob to the vertical [⏏] to return to manual cooking.

AUTO is Showing, But You Want to Revert to Manual Cooking

You can cancel any automatic settings by briefly turning the Timer knob to the clock symbol [⌚] and then releasing it.

Key Lock

When the key lock is activated the left-hand oven is locked and will not come on.

The right-hand oven can be operated as usual.

To Activate the Key Lock

Make sure that the clock is in manual mode and cancel any active programs.

Turn and hold the Timer knob to the clock symbol [⌚] for about 8 seconds. 'On' appears on the display (Fig.2-30).

While still holding the Timer knob turned to the clock symbol [⌚], turn the Adjusting knob clockwise until the key symbol [🔑] and 'OF' shows on the display (Fig.2-31). Release the knobs.

The left-hand oven is now locked, as is confirmed by the display showing the time of day alongside the key symbol [🔑] (Fig.2-32).

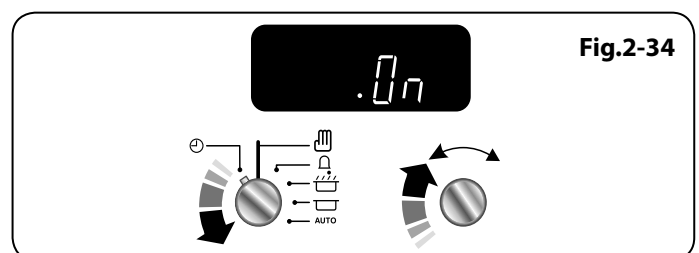
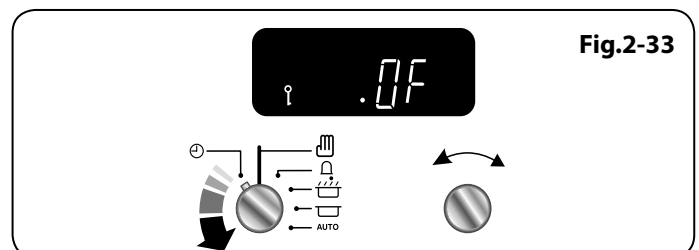
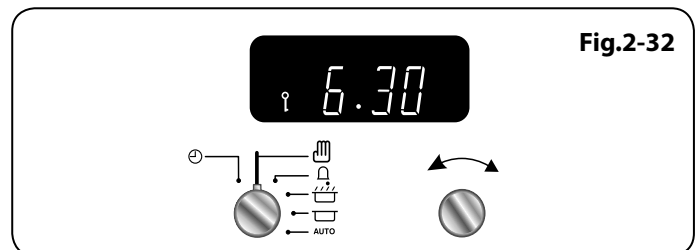
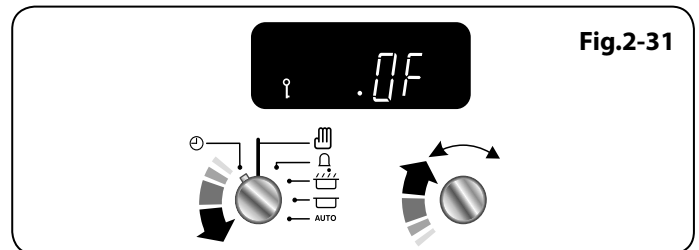
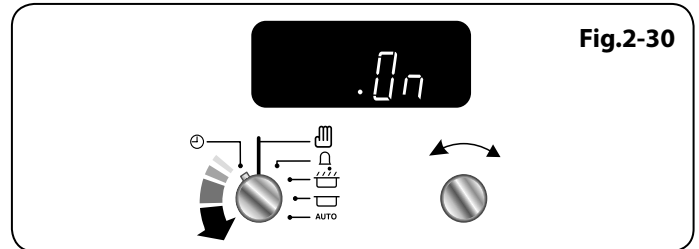
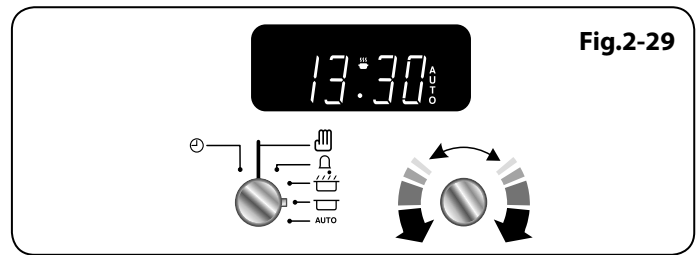
To Turn Off the Key Lock

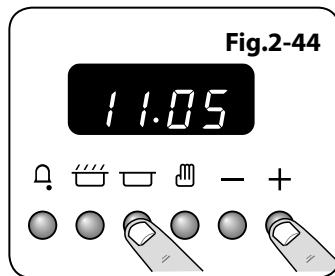
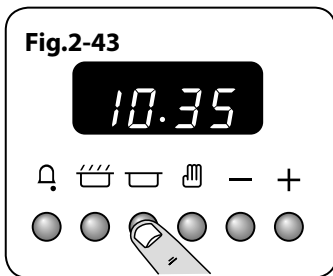
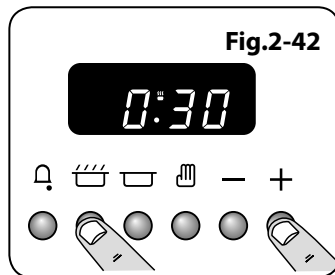
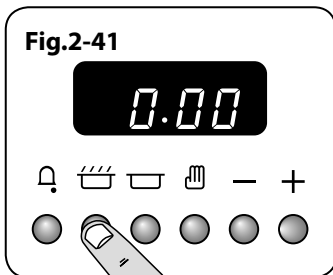
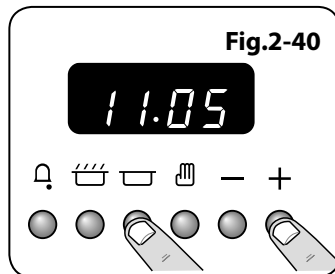
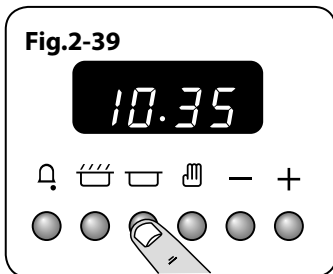
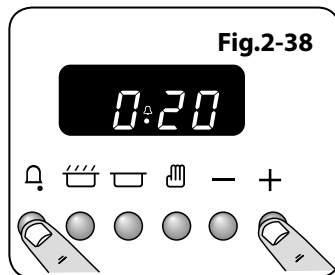
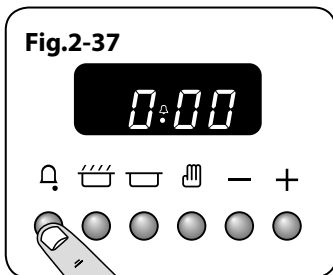
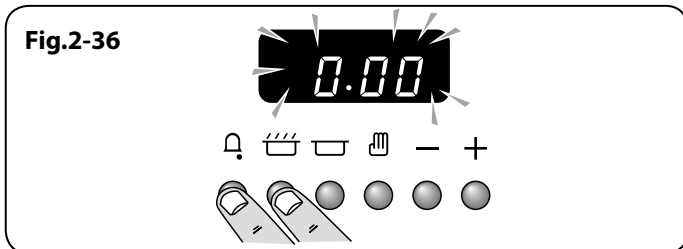
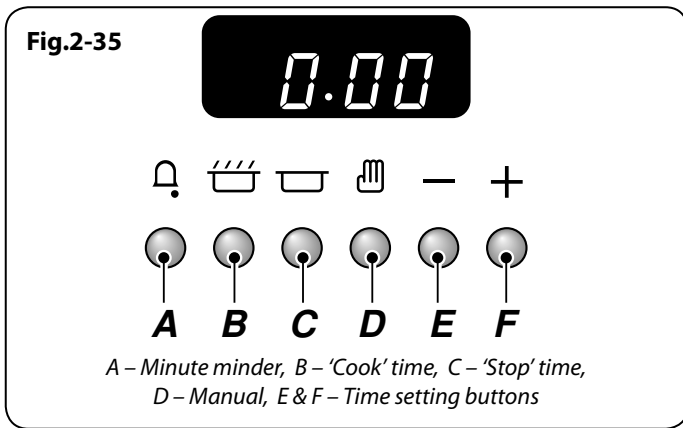
Turn and hold the Timer knob to the clock symbol [⌚] for about 8 seconds. 'OF' will appear on the display (Fig.2-33).

While still holding the Timer knob turned to the clock symbol [⌚], turn the Adjusting knob clockwise until the key symbol [🔑] goes out on the display and 'On' shows (Fig.2-34). Let go of the knobs.

After a few seconds, the display reverts to showing the time of day.

The oven can now be used normally.





The 6-button Clock (Classic Deluxe and Kitchener)

Setting the Time of Day

The 6-button LCD clock is shown in **Fig.2-35**. When the clock is first connected the display flashes (0.00) and () alternately.

Press and hold both the [A] and [C] buttons down (**Fig.2-36**). Now press the [+] button (or the [-] button) until the correct time shows.

Do not forget that it is a 24-hour clock.

If you need to reset the cooker, turn off the power supply and wait for a couple of minutes and start again.

Setting the Minute Minder

Press and hold the [A] button (**Fig.2-37**), and then press the [+] button until the length of time you want to cook for is shown (**Fig.2-38**).

You can check the time remaining by pressing [A]. When the beeper sounds cancel it by pressing [A].

- The 'cook period', which is the length of time you want the oven to cook for.
- The 'stop time', which is the time of day you want the oven to stop cooking.

To Stop the Oven Automatically

Press and hold the Stop Time [C] button (**Fig.2-39**) and then press the [+] button (or [-] button) until the required 'stop time' shows (**Fig.2-40**). AUTO will show in the display.

Once the 'stop time' is reached, the beeper sounds. To stop the beep turn the oven control knob to 0 first and then press [M] once; press [M] again to return to manual cooking.

To Start and Stop the Oven Automatically

Before you set the clock you must have two numbers clearly in mind – the 'cook period' and the 'stop time'.

Note: You cannot set a start time directly – this is set automatically by setting the 'cook period' and the 'stop time'.

Press and hold the [C] button (**Fig.2-41**) and then press the [+] button (or [-] button) until the required 'cook period' shows (**Fig.2-42**).

Now press and hold the [C] button (**Fig.2-43**) and then press the [+] button (or [-] button) until the required 'stop time' shows (**Fig.2-44**). Release the buttons.

AUTO will now show in the display.

Set the oven to the required temperature. When cooking is finished the beeper will sound. Turn the oven knob to the OFF position first, and then press the [M] button once to stop the beep; press it again to return to manual cooking.

If you are out, do not worry about the beeper going off, it stops after a while. When you return, turn the oven knob to 0 first, and then press [M] twice to return to manual cooking.

AUTO is Showing, But You Want to Reset to Manual Cooking

To return to manual cooking from any automatic setting, the 'cook period' must be cancelled. Press and hold the [⏏] button and then press the [-] button until the display reads (0.00).

Press the [⏏] button to return to manual cooking.

Key Lock

Activating the key lock will lock the left-hand oven and it will not come on.

The right-hand oven can be operated as usual.

To Activate the Key Lock

Make sure that the clock is in manual mode and cancel any active programs.

Hold the [⏏] and [⏏] buttons. When 'On' appears on the display (**Fig.2-45**) press the [+] button once. The key symbol [🔒] and 'OF' will now show on the display (**Fig.2-46**). Release the buttons.

The left-hand oven is now locked, as confirmed by the display showing the time of day alongside the key symbol [🔒] (**Fig.2-47**).

To Turn Off the Key Lock

Hold the [⏏] and [⏏] buttons. When 'OF' appears on the display (**Fig.2-48**) press the [+] button once. The key symbol [🔒] will go out and 'On' will show on the display (**Fig.2-49**). Release the buttons.

After a few seconds the display will revert to show the time of day.

The oven can now be used normally.

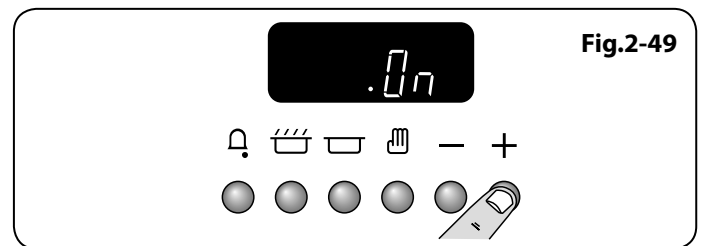
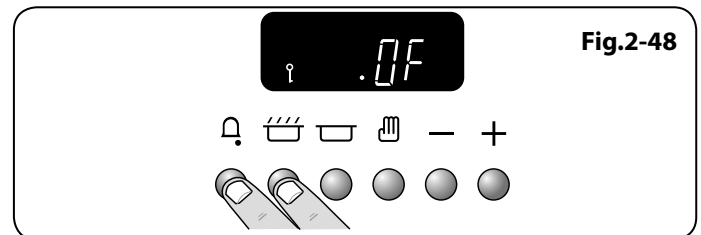
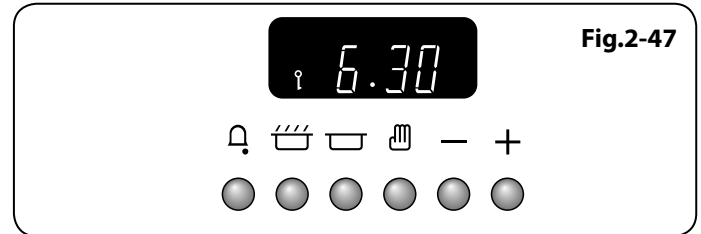
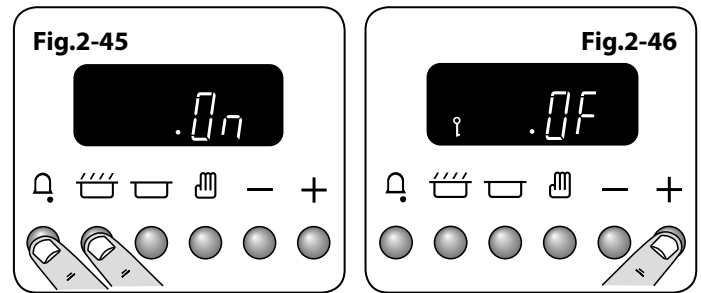
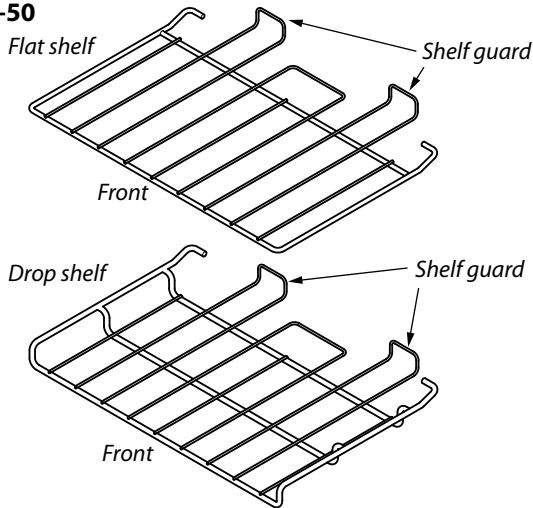


Fig.2-50



Accessories

Oven Shelves – Left-hand (Main) Oven

In addition to the flat shelf, the cooker is supplied with a drop shelf (**Fig.2-50**). The drop shelf increases the possibilities for oven shelf spacing.

Please note: The Hi-LITE does not have a drop shelf, but is supplied with two flat cooking shelves.

The oven shelves can be easily removed and refitted.

Pull the shelf forward until the back of the shelf is stopped by the shelf stop bumps in the oven sides (**Fig.2-51**).

Lift up the front of the shelf so the back of the shelf will pass under the shelf stop and then pull the shelf forward (**Fig.2-52**).

To refit the shelf, line up the shelf with a groove in the oven side and push the shelf back until the ends hit the shelf stop. Lift up the front so the shelf ends clear the shelf stops, and then lower the front so that the shelf is level and push it fully back (**Fig.2-53**).

Fig.2-51

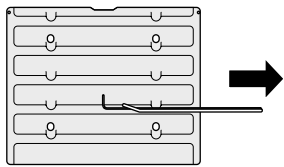


Fig.2-52

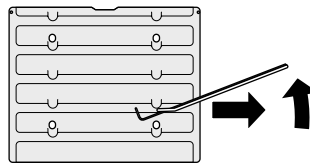


Fig.2-53

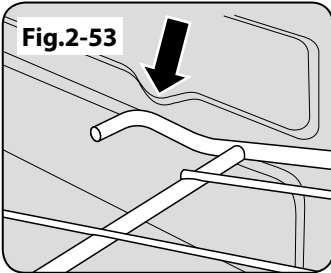
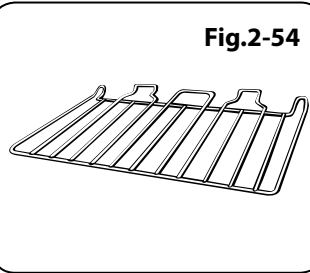


Fig.2-54



Oven Shelves – Right-hand (Tall) Oven

The tall oven is supplied with four flat cooking shelves (**Fig.2-54**) and a plate warming shelf (**Fig.2-55**).

Please note: The Hi-LITE does not have a plate warming shelf, but is supplied with three flat cooking shelves.

When using the tall oven, you can cook on all shelves at the same time, but make sure that they are well spaced out to allow the hot air to circulate.

The Handyrack (Main Oven)

The Handyrack (**Fig.2-56**) fits to the left-hand oven door only. Food cooking on it is easy to attend to, because it is accessible when the door is open.

The maximum weight that can be held by the Handyrack is 5.5 kg (12 lb). It should only be used with the supplied roasting tin, which is designed to fit the Handyrack. Any other vessel could be unstable.

It can be fitted at two different heights. One of the oven shelves must be removed and the other positioned to suit.

When the Handyrack is used in its highest position, other dishes can be cooked on the bottom shelf position or base of the oven.

When the Handyrack is used in its lowest position, other dishes can be cooked on the second shelf position or base of the oven.

To fit the Handyrack, locate one side of it on the door bracket (**Fig.2-57**). Then spring the other side out to clip it onto the other bracket (**Fig.2-58**).

Fig.2-55

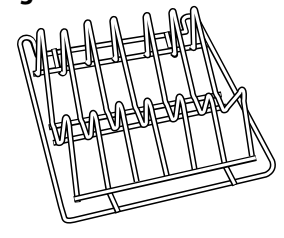


Fig.2-56

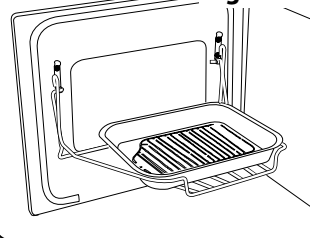


Fig.2-57

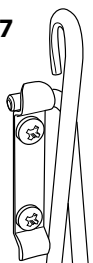


Fig.2-58

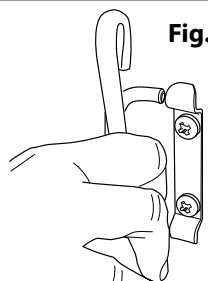


Fig.2-59



Main Oven Light

Press the button to turn the light on (**Fig.2-59**).




If the oven light fails, turn off the power supply before changing the bulb. See the 'Troubleshooting' section for details on how to change the bulb.

3. Cooking Tips

Tips on Cooking with the Timer

If you want to cook more than one dish, choose dishes that require approximately the same cooking time. However, dishes can be 'slowed down' slightly by using small containers and covering them with aluminium foil, or 'speeded up' slightly by cooking smaller quantities or placing them in larger containers.

Very perishable foods such as pork or fish should be avoided if a long delay period is planned, especially in hot weather.

-  **DO NOT place warm food in the oven to be timed.**
-  **DO NOT use a timed oven that is already warm.**
-  **DO NOT use the timed oven if the adjoining oven is already warm.**

Whole poultry must be thoroughly defrosted before being placed in the oven. Check that meat and poultry are fully cooked before serving.

General Oven Tips

The wire shelves should always be pushed firmly to the back of the oven.

Baking trays with food cooking on them should be placed level with the front edge of the oven's wire shelves. Other containers should be placed centrally. Keep all trays and containers away from the back of the oven, as overbrowning of the food may occur.

For even browning, the maximum recommended size of a baking tray is 340 mm (13½") by 340 mm (13½") in the main oven and 232 mm (9¼") and 321 mm (12⅝") in the tall oven.

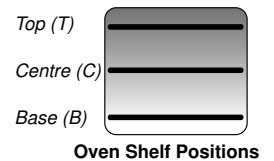
When the oven is on, do not leave the door open for longer than necessary, otherwise the knobs may get very hot.

- Always leave a "finger's width" between dishes on the same shelf. This allows the heat to circulate freely around them.
- To reduce fat splashing when you add vegetables to hot fat around a roast, dry them thoroughly or brush lightly with cooking oil.
- Where dishes may boil and spill over during cooking, place them on a baking tray.
- The 'Cook & Clean' oven liners (see '*Cleaning Your Cooker*') work better when fat splashes are avoided. Cover meat when cooking.
- Sufficient heat rises out of the oven while cooking to warm plates in the grill compartment.
- If you want to brown the base of a pastry dish, preheat the baking tray for 15 minutes before placing the dish in the centre of the tray.

4. Cooking Table

The oven control settings and cooking times given in the table below are intended to be used **AS A GUIDE ONLY**. Individual tastes may require the temperature to be altered to provide a preferred result.

Food is cooked at lower temperature in a fan oven than in a conventional oven. When using recipes, reduce the fan oven temperature by 10 °C and the cooking time by 5-10 minutes. The temperature in the fan oven does not vary with height in the oven so you can use any shelf.



T - Top; C - Centre; B - Base

| Food | Conventional Oven | Fan Oven | Approximate Cooking Time | | |
|--|------------------------------------|-------------------|---|--|--|
| | Temperature °C (Shelf Position) | Temperature °C | | | |
| Meat | | | | | |
| Beef (no bone) | 160 (C) | 150 | 30-35 minutes per 500g +30-35 minutes. | <p>Thoroughly thaw frozen joints before cooking. Meat may be roasted at 220°C (210°C for fan oven) and the cooking time adjusted accordingly. For stuffed and rolled meats, add approximately 10 minutes per 500g, or cook at 200°C (190°C) for 20 minutes then 160°C (150°C) for the remainder.</p> <p>For stuffed poultry, you could cook at 200°C (190°C) for 20 minutes then 160°C (150°C) for remainder. Do not forget to include the weight of the stuffing.</p> <p>For fresh or frozen prepacked poultry, follow instructions on the pack. Thoroughly thaw frozen poultry before cooking.</p> | |
| | 200 (C) | 190 | 20-25 minutes per 500g +20-25 minutes. | | |
| Lamb | 160 (C) | 150 | 30-35 minutes per 500g +30-35 minutes. | | |
| | 200 (C) | 190 | 25-30 minutes per 500g +25-30 minutes. | | |
| Pork | 160 (C) | 150 | 35-40 minutes per 500g +35-40 minutes. | | |
| | 200 (C) | 190 | 25-30 minutes per 500g +25-30 minutes. | | |
| Poultry | | | | | |
| Chicken | 160 (C) | 150 | 20-25 minutes per 500g +20-25 minutes. | | |
| | 200 (C) | 190 | 15-20 minutes per 500g +15-20 minutes. | | |
| Turkey | 160 (C) | 150 | 20 minutes per 500g +20 minutes. | | |
| | 200 (C) | 190 | 15 minutes per 500g +15 minutes. | | |
| Duck | 160 (C) | 150 | 25-30 minutes per 500g. | | |
| | 200 (C) | 190 | 20 minutes per 500g. | | |
| Casserole | 140-150 (C) | 130-140 | 2-4 hours according to recipe. | | |
| Yorkshire Pudding | 220 (C) | 210 | Large tins 30-35 minutes; individual 10-20 minutes. | | |
| Cake | | | | | |
| Very rich fruit - Christmas, wedding, etc. | 140 (C/B) | 130 | 45-50 minutes per 500g of mixture. | <p>Using the conventional oven: when two tier cooking leave at least one runner space between shelves. Position the baking tray with the front edge along the front of the oven shelf.</p> | |
| Fruit 180 mm tin | 150 (C/B) | 140 | 2-2½ hours. | | |
| Fruit 230 mm tin | 150 (C/B) | 140 | Up to 3½ hours. | | |
| Madeira 180 mm | 160 (C/B) | 150 | 80-90 minutes. | | |
| Queen cakes | 190 (C/B) | 180 | 15-25 minutes. | | |
| Scones | 220 (C/B) | 210 | 10-15 minutes. | | |
| Victoria sandwich | | | | <p>Up to three tiers can be cooked in a fan oven at the same time but make sure to leave at least one runner space between each shelf being cooked on.</p> | |
| 180 mm tin | 180 (C/B) | 170 | 20-30 minutes. | | |
| 210 mm tin | 180 (C/B) | 170 | 30-40 minutes. | | |
| Desserts | | | | | |
| Shortcrust tarts | 200 (C/B) | 190 | 20-30 minutes on a preheated tray. | <p>Using the conventional oven: for even browning the maximum size of baking tray recommended is 340 mm x 340 mm. This ensures free heat circulation.</p> | |
| Fruit pies | 200 (C/B) | 190 | 35-45 minutes. | | |
| Tartlets | 200 (C/B) | 190 | 10-20 minutes according to size. | | |
| Puff pastry | 210 (C/B) | 200 | 20-40 minutes according to size. | | |
| Meringues | 100 (C/B) | 90 | 2-3 hours. | <p>If cooking a two tier load, the trays should be interchanged approximately halfway through the cooking time.</p> | |
| Baked egg custard | 160 (C/B) | 150 | 45-60 minutes. | | |
| Baked sponge pudding | 180 (C/B) | 170 | 40-45 minutes. | | |
| Milk pudding | 140-150 (C/B) | 130-140 | 2 to 3 hours. | | |
| Bread | 210 (C) | 200 | 20-30 minutes. | | |
| Fish | | | | | |
| | Fanned Grilling | | | | |
| Fillet | 190 (C/B) | 190 (C/B) | 15-20 minutes. | <p>If cooking a two tier load, the trays should be interchanged approximately halfway through the cooking time.</p> | |
| Whole | 190 (C/B) | 190 (C/B) | 15-20 minutes per 500g. | | |
| Steak | 190 (C/B) | 190 (C/B) | Steaks according to thickness. | | |

5. Cleaning Your Cooker

Essential Information

Isolate the electricity supply before carrying out any thorough cleaning. Allow the cooker to cool.

⚠ NEVER use paint solvents, washing soda, caustic cleaners, biological powders, bleach, chlorine based bleach cleaners, coarse abrasives or salt.

⚠ DO NOT mix different cleaning products – they may react together with hazardous results.

All parts of the cooker can be cleaned with hot soapy water – **but take care that no surplus water seeps into the appliance.**

Remember to switch on the electricity supply and reset the clock before re-using the cooker.

Hotplate Burners

The burner heads and caps can be removed for cleaning. Make sure they are absolutely dry before replacing them.

The Single Ring Burners

When refitting the burner head, make sure that the notch lines up with the electrode or hole in the base. Check that the burner head is level and that the cap is fitted centrally on the burner head (**Fig.5-1**).

The Wok Burner

The wok burner can also be taken apart for cleaning.

When reassembling the wok burner (**Fig.5-2**), turn over the large base ring and find the 'D' shaped area (**Fig.5-3**). Turn the head until the 'D' matches the one on the burner base. Flip the burner over once again and place it on the burner base.

To fit the small inner burner, find the larger electrode notch in the burner rim. Line this up with the white ignition electrode and place the inner burner on the large base ring (**Fig.5-4**).

Now fit the two burner caps, making sure that they are seated properly.

Check the burner ports are not blocked. If a blockage occurs, remove stubborn particles using a piece of fuse wire.

The Wok Cradle

Recommended cleaning materials are hot soapy water, a moistened soap pad, cream cleaner or a nylon scourer.

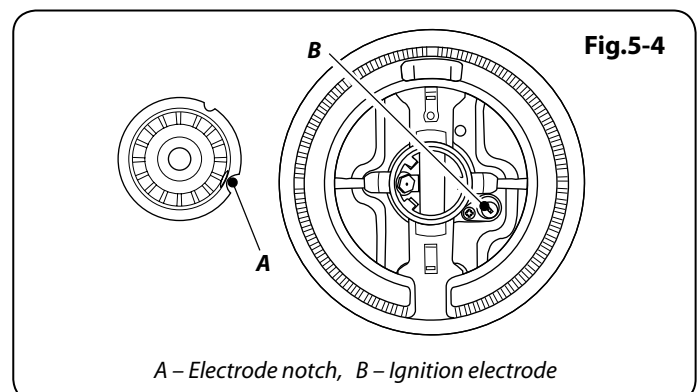
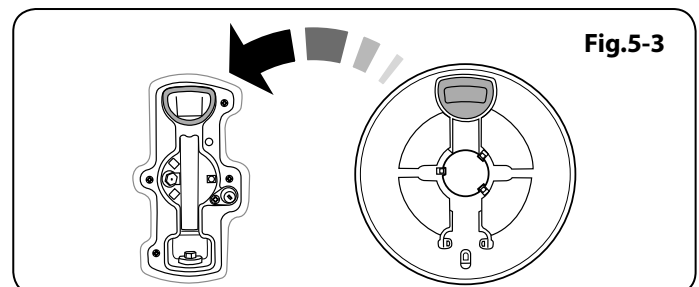
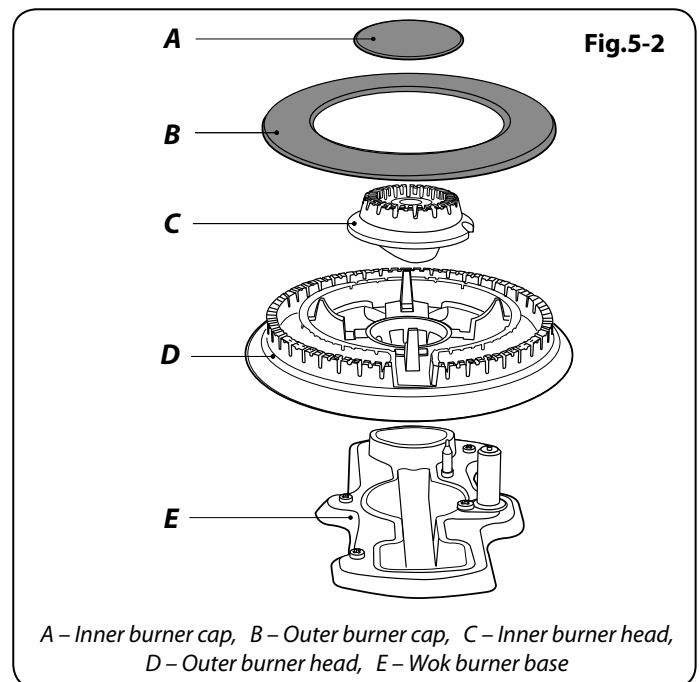
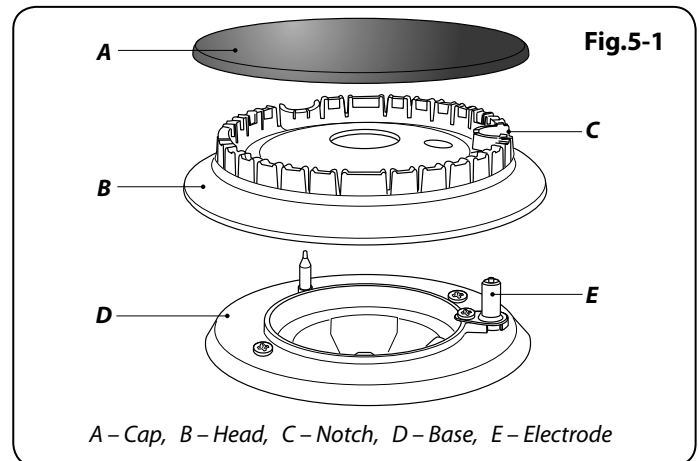
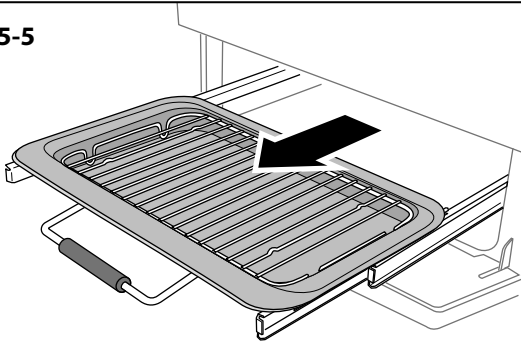


Fig.5-5



Grills

The grill pan and trivet should be washed in hot soapy water. Alternatively, the grill pan can be washed in a dishwasher.

After grilling meats or any foods that soil, leave to soak for a few minutes immediately after use. Stubborn particles may be removed from the trivet using a nylon brush.

Before you remove any of the grill parts for cleaning, make sure that they are cool, or use oven gloves.

Cleaning the Glide-out Grill

The grill pan can be easily removed for cleaning as follows:

Remove the grill pan support frame by pulling the grill pan forward (**Fig.5-5**).

Lift the grill pan clear of the support frame. The support frame is held to the side rails by two clips on each side (**Fig.5-6**).

For each side, support the side rail with one hand and with the other hand lift the frame up and out of the side clips (**Fig.5-7**).

For safety, push the side rails back into the grill chamber.

If you need to remove the side rails to allow cleaning of the grill chamber, you can unhook them from the grill chamber sides (**Fig.5-8**) and wipe the sides clean with a soft cloth and mild detergent.

⚠ DO NOT put the side runners in a dishwasher.

Once you have finished, hook the side rails back onto the sides of the chamber. To refit the frame, pull the side rails forward and, for each side in turn, support the side rail and press the frame down into the side rails. Replace the grill pan. When refitting the grill pan, make sure that the wide rim is at the front (**Fig.5-9**).

Control Panel and Doors

Avoid using any abrasive cleaners, including cream cleaners. For best results, use a liquid detergent.

The same cleaner can also be used on the doors, or alternatively, using a soft cloth wrung out in clean hot soapy water. You can use the same method for cleaning the control panel and knobs.

After cleaning, polish with a dry cloth.

Fig.5-6

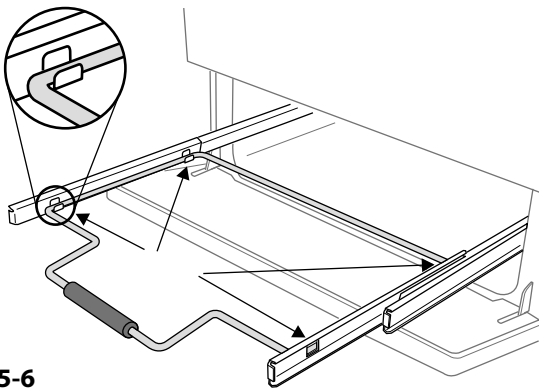


Fig.5-7

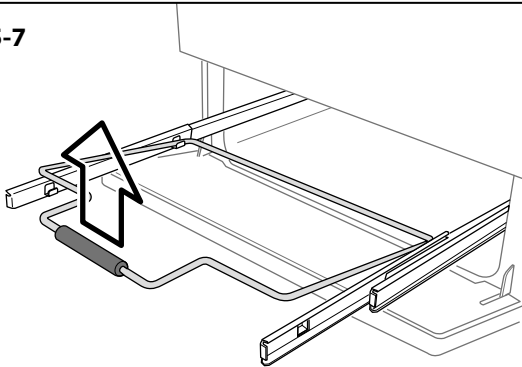


Fig.5-8

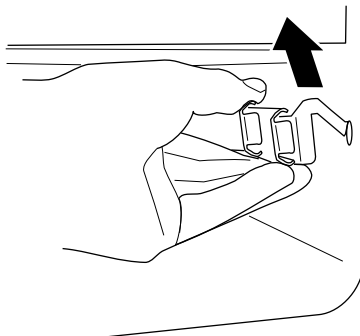
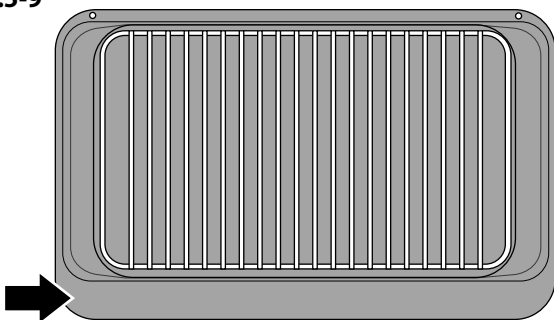


Fig.5-9



Glass Fronted Door Panels

The oven door front panels can be taken off so that the glass panels can be cleaned. Move the cooker forward to gain access to the sides (see the 'Moving the Cooker' section under 'Installation').

Open the oven door slightly and remove the front panel fixing screws from the door sides, two each side (**Fig.5-10**).

Carefully lift off the outer door panel. The inside face of the glass panels can now be cleaned – take care not to disturb or wet the door insulation.

Note: If the door is triple glazed then the inner two panels are fixed together and should not be separated. After cleaning, carefully refit the outer door panel and replace the side fixing screws.

! **DO NOT use harsh abrasive cleaners or sharp metal scrapers to clean the oven door glass since they can scratch the surface, which may result in shattering of the glass.**

Ovens

'Cook & Clean' Panels

The main oven has side 'Cook & Clean' panels which have been coated with a special enamel that partly cleans itself. This does not stop all marks on the lining, but helps to reduce the amount of manual cleaning needed.

These panels work better above 200°C. If you do most of your cooking below this temperature, occasionally remove the panels and wipe with a lint free cloth and hot soapy water. The panels should then be dried and replaced and the oven heated at 200°C for about one hour. This will make sure that the panels are working effectively.

Removing the Panels to Clean the Enamel Interior

Some of the lining panels can be removed for cleaning.

If you wish to clean the enamel interior of the oven, you will need to remove the shelves before removing the 'Cook & Clean' panels. You do not have to remove the support brackets to remove the panels. Lift each panel upward and slide forward off the support brackets (**Fig.5-11**).

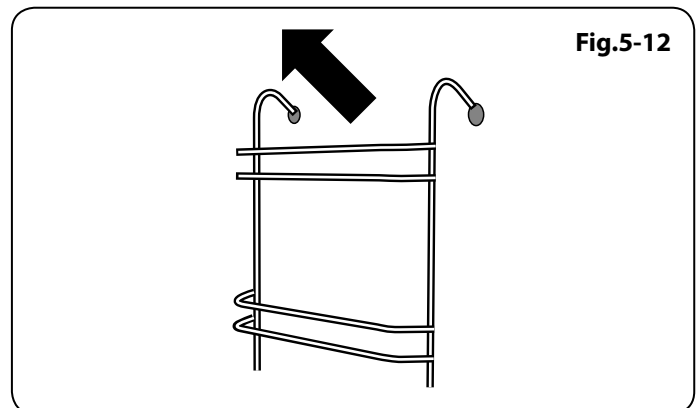
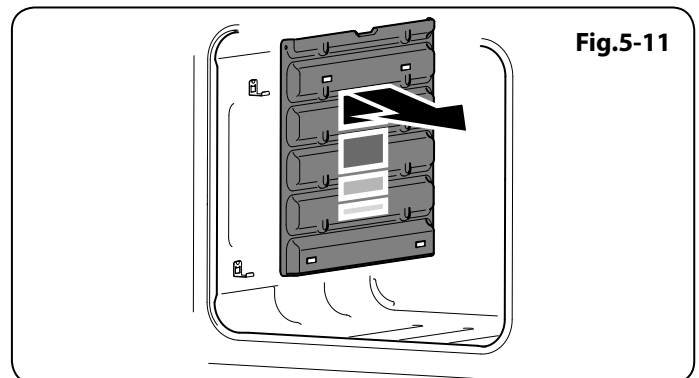
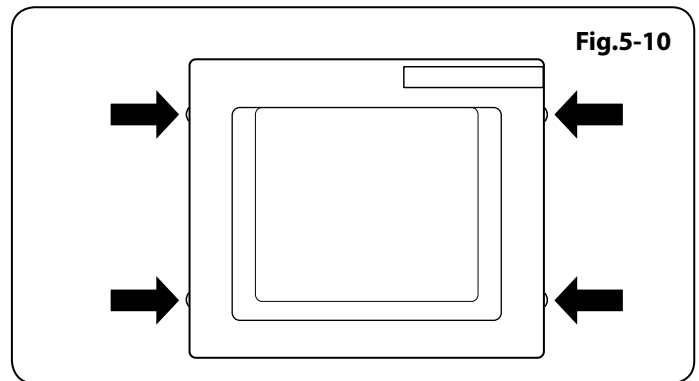
Once the panels have been removed, the oven enamel interior can be cleaned.

DO NOT use steel wool, oven cleaning pads, or any other materials that will scratch the surface.

Refit in the reverse order.

The Tall Oven

To clean the oven sides, slide out the shelves, unhook the supports from the oven sides and lift out (**Fig.5-12**).



Cleaning Table

Cleaners listed (**Table 5-1**) are available from supermarkets or electrical retailers as stated.

For enamelled surfaces use a cleaner that is approved for use on vitreous enamel.

Regular cleaning is recommended. For easier cleaning, wipe up any spillages immediately.

| Hotplate | | |
|---|---|--|
| Part | Finish | Recommended Cleaning Method |
| Hob top | Enamel or stainless steel | Hot soapy water, soft cloth. Any stubborn stains remove gently with a nylon scourer. |
| Ceramic/induction hob | Toughened glass | Hot soapy water; cream cleaner/scourer if necessary. |
| Griddle plate (some models only) | Non-stick surface | Allow to cool. Wash in hot soapy water. Do not use abrasive cleaners/scourers. Dishwasher. |
| Warming zone (some models only) | Toughened glass | Hot soapy water, cream cleaner/scourer if necessary. |
| Outside of Cooker | | |
| Part | Finish | Recommended Cleaning Method |
| Door, door surround and storage drawer exterior | Enamel or paint | Hot soapy water, soft cloth. Any stubborn stains, remove gently with a liquid detergent. |
| | Stainless steel | E-cloth (<i>electrical retailers</i>) or microfibre all-purpose cloth (<i>supermarket</i>). |
| Sides and plinth | Painted surface | Hot soapy water, soft cloth. |
| Splashback/rear grille | Enamel or stainless steel | Hot soapy water, soft cloth. Cream cleaner, with care, if necessary. |
| Control panel | Paint, enamel, stainless steel, glass | Warm soapy water. Do not use proprietary cleaners other than washing-up liquid, as this may cause cosmetic damage. |
| Control knobs/handles & trims | Plastic/chrome, copper or lacquered brass | Warm soapy water, soft cloth. |
| | Brass | Brass polish. |
| Oven door glass/glass lid (some models only) | Toughened glass | Hot soapy water, cream cleaner/scourer if necessary. |
| Oven and Grill | | |
| Part | Finish | Recommended Cleaning Method |
| Sides, floor & roof of oven NOT 'COOK & CLEAN' OVEN PANELS (see below) | Enamel | Any proprietary oven cleaner that is suitable for enamel. CAUTION: CORROSIVE/CAUSTIC OVEN CLEANERS: FOLLOW MANUFACTURER'S INSTRUCTIONS. Do not allow contact with the oven elements. |
| 'Cook & Clean' oven panels (some models only) | Special enamel that partly cleans itself | This surface cleans itself at 200°C and above, or the panels can be removed and washed with hot soapy water and a nylon brush. |
| Oven shelves, Handyrack, grill trivet, Handygrill rack (some models only) | Chrome | An oven interior cleaner that is suitable for chrome. Soap filled pad. Dishwasher. |
| Grill pan/meat tin (some models only) | Enamel | Hot soapy water. Soap filled pad. Dishwasher. |

Table 5-1

6. Troubleshooting

Hotplate ignition or hotplate burners faulty

Is the power on? Is the clock illuminated?

If not, there may be something wrong with the power supply.

Are the sparker (ignition electrode) or burner slots blocked by debris?

Are the burner trim and caps correctly located? See the section on *'Cleaning'*.

Hotplate burners will not light

Make sure that the burner parts have been replaced correctly after wiping or removing for cleaning.

Check that there is not a problem with your gas supply. You can do this by making sure that other gas appliances you may have are working.

Do the burners spark when you push the button?

If not, verify that the power is on by checking that the clock is illuminated.

Steam is coming from the oven

When cooking foods with high water content (e.g. oven fries) there may be some steam visible at the rear grille.

Take care when opening the oven door, as there may be a momentary puff of steam when the oven door is opened. Stand well back and allow any steam to disperse.

What cleaning materials are recommended for the cooker?

See the *'Cleaning'* section for recommended cleaning materials.

Never use caustic or abrasive cleaners as these will damage the surface.

An oven fan is noisy

The note of the oven fan may change as the oven heats up – this is perfectly normal.

The knobs get hot when I use the oven or the grill. Can I avoid this?

Yes, this is caused by heat rising from the oven or the grill, and heating them up. Do not leave the oven door open.

Make sure that the grill pan is pushed right back to the 'back stop' when grilling.

Always grill with the grill compartment door open.

If there is an installation problem and I don't get my original installer to come back to fix it who pays?

You do. Service organizations will charge for their call outs if they are correcting work carried out by your original installer. It is in your interest to track down your original installer.

Power failure

In the event of a failure in the electrical supply, remember to reset the clock to make sure that the timed oven continues to operate.

Fascia illumination is not coming on (*Hi-LITE only*)

Is the power on?

The appliance has developed a fault that cannot be rectified by the user. Please contact your installer or a qualified repair engineer.

Food is cooking too slowly, too quickly, or burning

Cooking times may differ from your previous oven.

Check that you are using the recommended temperatures and shelf positions – see the oven cooking guide. The oven control settings and cooking times are intended to be used **only** as a guide.

Individual tastes may require the temperature to be altered either way, to get the results you want.

The oven is not cooking evenly

Do not use a baking tray with dimensions larger than those specified in the section on *'General Oven Tips'*.

If you are cooking a large item, be prepared to turn it round during cooking.

If two shelves are used, check that space has been left for the heat to circulate. When a baking tray is put into the oven, make sure that it is placed centrally on the shelf.

Check that the door seal is not damaged and that the door catch is adjusted so that the door is held firmly against the seal.

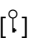
A dish of water when placed on the shelf should be the same depth all over. (For example, if it is deeper at the back, then the back of the cooker should be raised up or the front lowered.) If the cooker is not level arrange for your supplier to level it for you.

Oven not coming on

Is the power on? Is the clock illuminated? If not, there may be something wrong with the power supply.

Is the cooker supply on at the isolator switch?

Has the time of day been set?

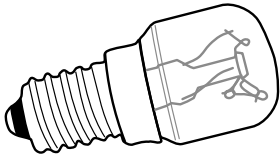
Is the key symbol ['Clock' section of the instructions for more information on the key lock feature.

The timed oven is not coming on when automatic cooking

Has the oven knob been left in the OFF position by mistake?

Is the oven locked (*see above*)?

Fig.6-1



Oven temperature getting hotter as the cooker gets older

If turning the temperature down using the oven control knob has not worked, or has only worked for a short time, then you may need a new thermostat. This should be fitted by a service person.

An oven light is not working

The bulb has probably burnt out. You can buy a replacement bulb (which is not covered under the warranty) from a good electrical shop. Ask for a 15W – 230V lamp, FOR OVENS. It must be a special bulb, heat resistant to 300°C (**Fig.6-1**).

Turn off the power at the circuit breaker.

Before removing the existing bulb, turn off the power supply and make sure that the oven is cool. Open the oven door and remove the oven shelves.

Unscrew the bulb cover by turning counter-clockwise. It may be very stiff (**Fig.6-2**). Taking care to protect your fingers with a glove in case the bulb should shatter.

Screw in the new bulb; screw back the bulb cover. Turn on the circuit breaker and check that the bulb now lights.

Fig.6-2

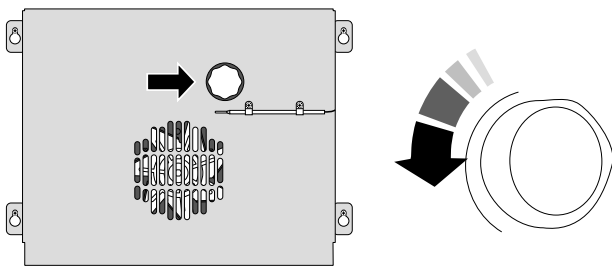
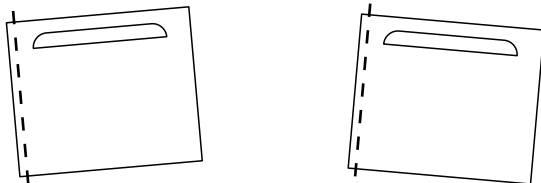


Fig.6-3



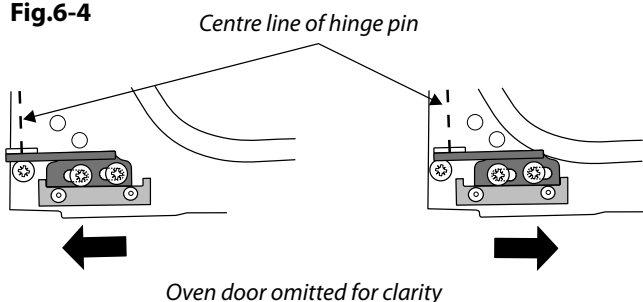
Effect of hinge adjustment – exaggerated for clarity

The oven door is misaligned

The bottom hinge of either oven door can be adjusted to alter the angle of the door (**Fig.6-3**). Loosen the bottom hinge fixing screws and use the notch and a flat bladed screwdriver to move the position of the hinge to set the hinge position (**Fig.6-4**).

Retighten the hinge screws.

Fig.6-4



INSTALLATION

Check the appliance is electrically safe and gas sound when you have finished.

7. Installation

Dear Installer

Before you start your installation, please complete the details below, so that, if your customer has a problem relating to your installation, they will be able to contact you easily.

| |
|-------------------------------------|
| Installer's Name |
| |
| Installer's Company |
| |
| Installer's Telephone Number |
| |
| Appliance Serial Number |
| |

Safety Requirements and Regulations

You must be aware of the following safety requirements & regulations.

- ⚠ Before installation, make sure that the local distribution conditions (nature of the gas and gas pressure) and the adjustment of the appliance are compatible.**
- ⚠ This cooker is a Class 2 Subclass 1 appliance.**
- ⚠ This appliance can be converted for use on another gas.**
- ⚠ The appliance must be installed in accordance with the regulations in force and only in a well-ventilated space.**
- ⚠ Read the instructions before installing or using this appliance.**
- ⚠ Failure to install the appliance correctly could invalidate any warranty or liability claims and lead to prosecution.**

Provision of Ventilation

This appliance is not connected to a combustion products evacuation device. Particular attention shall be given to the relevant requirements regarding ventilation.

Location of Cooker

The cooker may be installed in a kitchen/kitchen diner but NOT in a room containing a bath or shower.

This appliance is designed for domestic cooking only. Use for any other purpose could invalidate any warranty or liability claim.

Note: An appliance for use on LPG must not be installed in a room or internal space below ground level, e.g. in a basement.

Conversion

This appliance is supplied set for:

G20 20 mbar

- Cat II2H3+
- Cat II2E+3+
- Cat II2L3B/P
- Cat II 2E3B/P
- Cat II2H3B/P
- Cat II2ELL3B/P

A conversion kit for another gas is available for the cooker.

If the appliance is to be converted to another gas we recommend that this is carried out before installation.

After converting the appliance, please attach the Gas Conversion sticker over the appropriate area of the data badge – this will identify the gas type for which the appliance is now set.

INSTALLATION

Check the appliance is electrically safe and gas sound when you have finished.

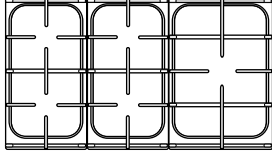
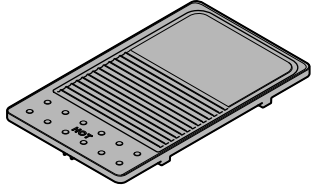
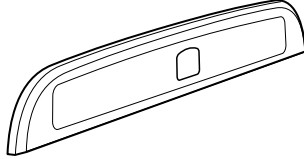
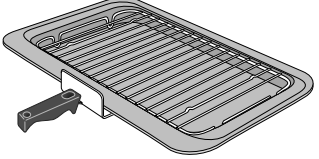
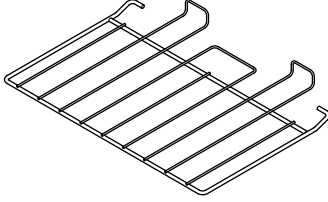
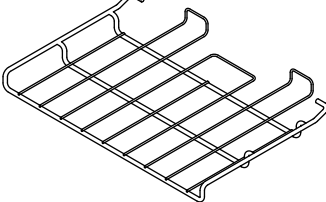
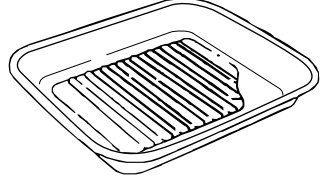
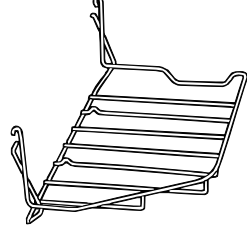

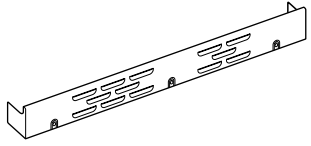
You will need the following equipment to complete the cooker installation satisfactorily:

- Stability bracket: If the cooker is to be supplied with gas through a flexible hose, a stability bracket or chain **MUST** be fitted.
These are not supplied with the cooker but are available at most builders' merchants.
- Gas pressure tester/manometer.
- Flexible gas hose: Must be in accordance with the relevant standards.
- Multimeter: For electrical checks.

You will also need the following tools:

1. Electric drill
2. Masonry drill bit (only required if fitting the cooker on a stone or concrete floor)
3. Wall plugs (only required if fitting the cooker on a stone or concrete floor)
4. Steel tape measure
5. Cross head screwdriver
6. Flat head screwdriver
7. Spirit level
8. Pencil
9. Adjustable spanner
10. Screws for fitting stability bracket
11. 4 mm & 3 mm Allen keys
12. 13 mm spanner or socket wrench

Checking the Parts:

| | |
|--|---|
| 3 pan supports | Griddle (supplied with Hi-LITE and Professional+) |
|  |  |
| Splashback (Classic Deluxe only) | Grill pan & trivet (standard version shown) |
|  |  |
| Flat shelf | Drop shelf (not supplied with Hi-LITE) |
|  |  |
| Roasting tin | Handyrack |
|  |  |
| Tall oven shelves and shelf supports (example shown) | Plinth (1-piece model shown) |
|  |  |

INSTALLATION

Check the appliance is electrically safe and gas sound when you have finished.

Positioning the Cooker

Fig.7-1 and **Fig.7-2** shows the minimum recommended distance from the cooker to nearby surfaces.

The cooker should not be placed on a base.

Above hotplate surround should be level with, or above, any adjacent work surface.

A gap of 75 mm should be left between each side of the cooker **ABOVE** the hotplate level and any adjacent vertical surface.

For non-combustible surfaces (such as unpainted metal or ceramic tiles), this can be reduced to 25 mm.

A minimum space of 650 mm is required between the top of the hotplate and a horizontal combustible surface.

**Any cookerhood should be installed in accordance with the hood manufacturer's instructions.*

***Any splashback must be fitted in accordance with the manufacturers instructions. Allowance should be made for the additional height of the flue trim, which is fitted to the cooker hob.*

Surfaces of furniture and walls at the sides and rear of the appliance should be heat, splash and steam resistant. Certain types of vinyl or laminate kitchen furniture are particularly prone to heat damage and discolouration.

We cannot accept responsibility for damage caused by normal use of the cooker to any material that de-laminates or discolours at temperatures less than 65°C above room temperature

We recommend a gap of 910 mm between units to allow for moving the cooker. Do not box the cooker in – it must be possible to move the cooker in and out for cleaning and servicing.

If the cooker is near a corner of the kitchen, a clearance of 130 mm is required to allow the oven doors to open (**Fig.7-3**). The actual opening of the doors is slightly less but this allows for some protection of your hand as you open the door.

Moving the Cooker

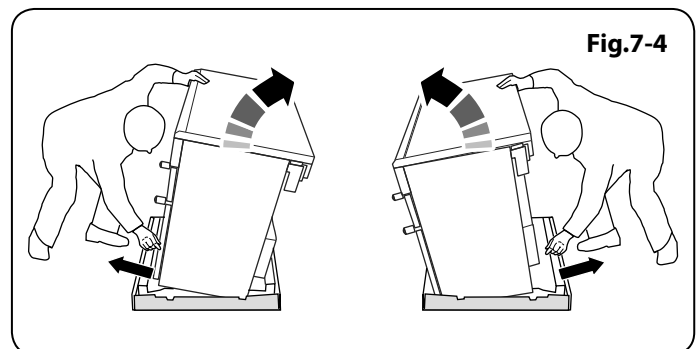
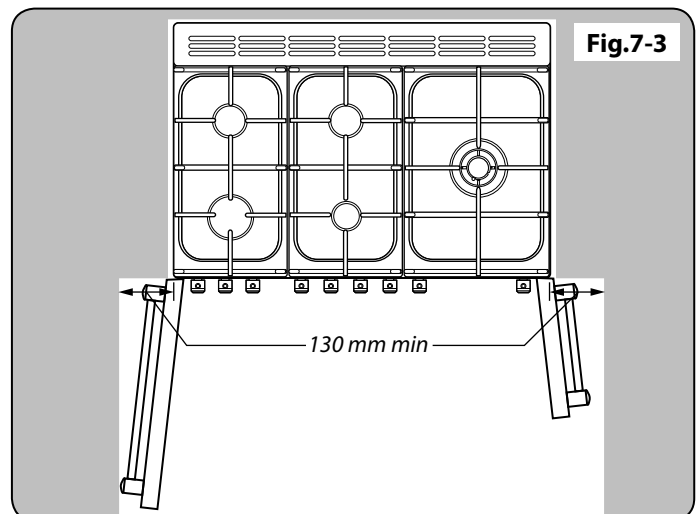
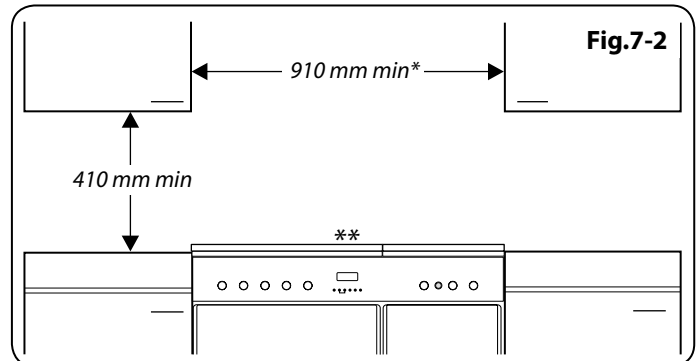
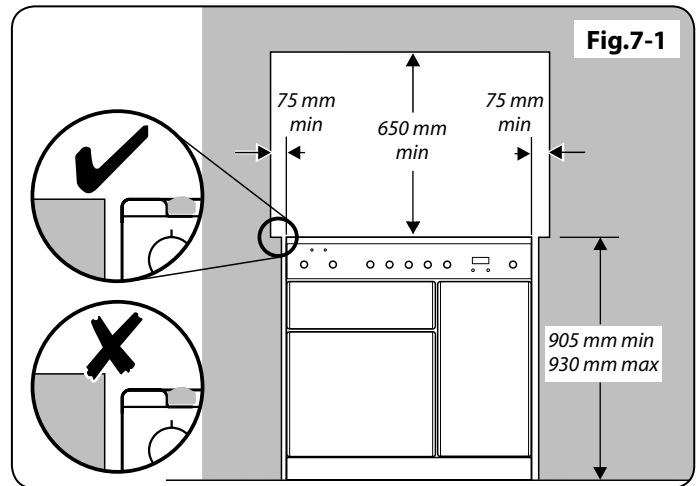
⚠ On no account try and move the cooker while it is plugged into the electricity supply.

⚠ The cooker is very heavy, so take great care.

We recommend that two people manoeuvre the cooker. Make sure that the floor covering is firmly fixed, or removed, to prevent it being disturbed when moving the cooker around.

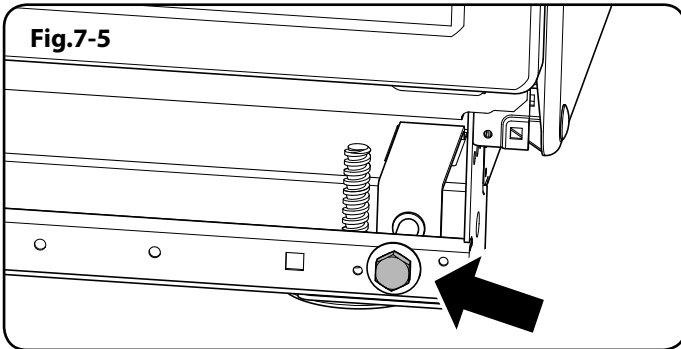
To help you, there are two levelling rollers at the back, and two screw-down levelling feet at the front.

Remove the polystyrene base pack. From the front, tilt the cooker backwards and remove the front half of the polystyrene base (**Fig.7-4**). Repeat from the back and remove the rear half of the polystyrene base.



INSTALLATION

Check the appliance is electrically safe and gas sound when you have finished.



Lowering the Two Rear Rollers

To adjust the height of the rear of the cooker, first fit a 13 mm spanner or socket wrench onto the hexagonal adjusting nut (**Fig.7-5**). Rotate the nut – clockwise to raise – counter-clockwise to lower.

Make 10 complete (360°) turns clockwise.

Make sure you lower BOTH REAR ROLLERS.

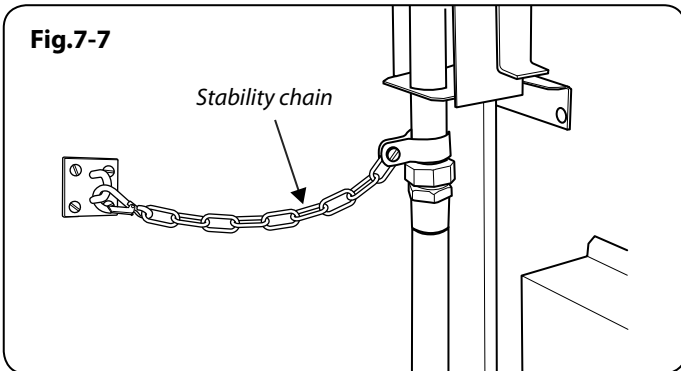
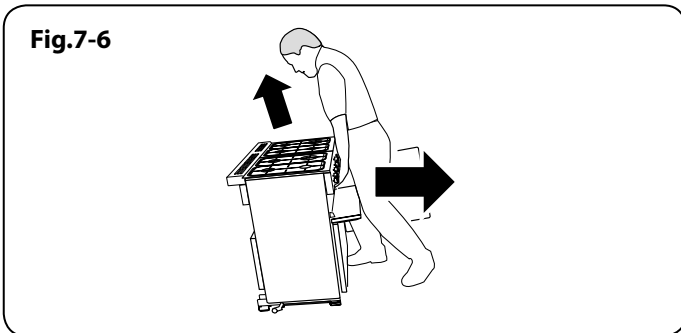
Completing the Move

Unfold the rear edge of the cardboard base tray. Open the grill door and right-hand oven door so that you can get a good grip on the bottom of the fascia panel as you move the oven (**Fig.7-6**).

Carefully push the cooker backwards off the cardboard base. Remove the base tray.

Position the cooker close to its final position, leaving just enough space to get behind it.

⚠ DO NOT use the door handles or control knobs to manoeuvre the cooker.



Fitting the Stability Bracket or Chain

Unless otherwise stated, a cooker using a flexible gas connector must be secured with a suitable stability device.

Suitable stability devices are shown in **Fig.7-7**, **Fig.7-8** and **Fig.7-9**.

If you are using a stability chain (**Fig.7-7**) then the chain should be kept as short as is practicable and fixed firmly to the rear of the cooker.

If you are using a stability bracket (**Fig.7-8** and **Fig.7-9**), then adjust the bracket to give the smallest practicable clearance between the bracket and the engagement slot in the rear of the cooker.

Fit the bracket so that it engages as far as possible over the chassis of the cooker.

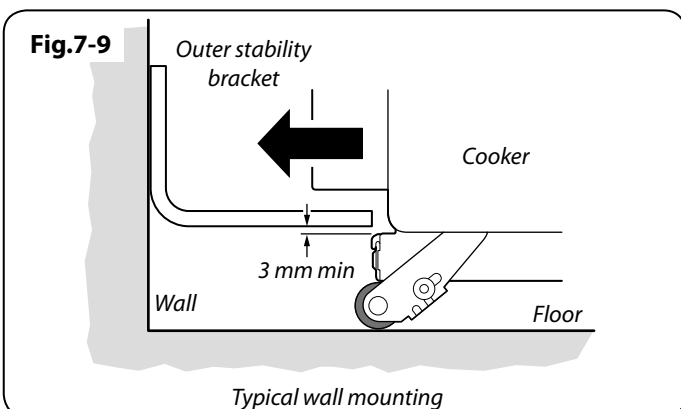
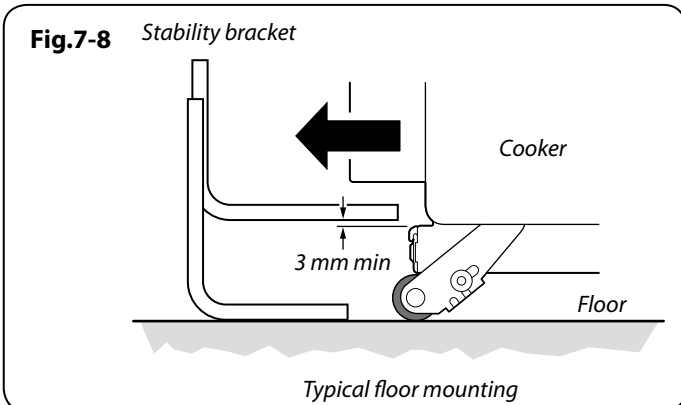
Repositioning the Cooker Following Connection

If you need to move the cooker once it has been connected then you need to unplug it and, having gripped under the fascia panel and lifted the front of the cooker slightly (**Fig.7-6**), you need to check behind the cooker to make sure that the gas hose is not caught.

As you progress, make sure that both the electricity cable and gas hose always have sufficient slack to allow the cooker to move.

With a stability chain fitted, release it as you ease the cooker out. Do not forget to refit it when you replace the cooker.

When you replace the cooker, again check behind to make sure that the electricity cable and gas hose are not caught or trapped.



INSTALLATION

Check the appliance is electrically safe and gas sound when you have finished.

Conversion to Another Gas

If the appliance is to be converted to another gas do the conversion at this point. See the conversion section of these instructions.

Levelling

You are recommended to use a spirit level on a shelf in one of the ovens to check for level.

Place the cooker in its intended position taking care not to twist it within the gap between the kitchen units as damage may occur to the cooker or the units.

The front feet and rear rollers can be adjusted to level the cooker.

To adjust the height of the rear of the cooker use a 13 mm spanner or socket wrench to turn the adjusting nuts at the front bottom corners of the cooker.

To set the front turn the feet bases to raise or lower.

Gas Connection

This must be in accordance with the relevant standards.

The flexible hose (not supplied with the cooker) must be in accordance with the relevant standards. Hoses may be purchased at most builders' merchants.

The gas supply needs to terminate with a down-facing bayonet.

The connector is located just below the hotplate level at the rear of the cooker. If in doubt contact your supplier.

The rear cover boxes limit the position of the supply point.

Because the height of the cooker can be adjusted and each connection is different, it is difficult to give precise dimensions.

Although a 900 mm hose can be used (on the Hi-LITE model we recommend a 1250 mm hose), a 1250 mm hose will allow slightly more flexibility in the positioning of the bayonet and make moving the cooker easier.

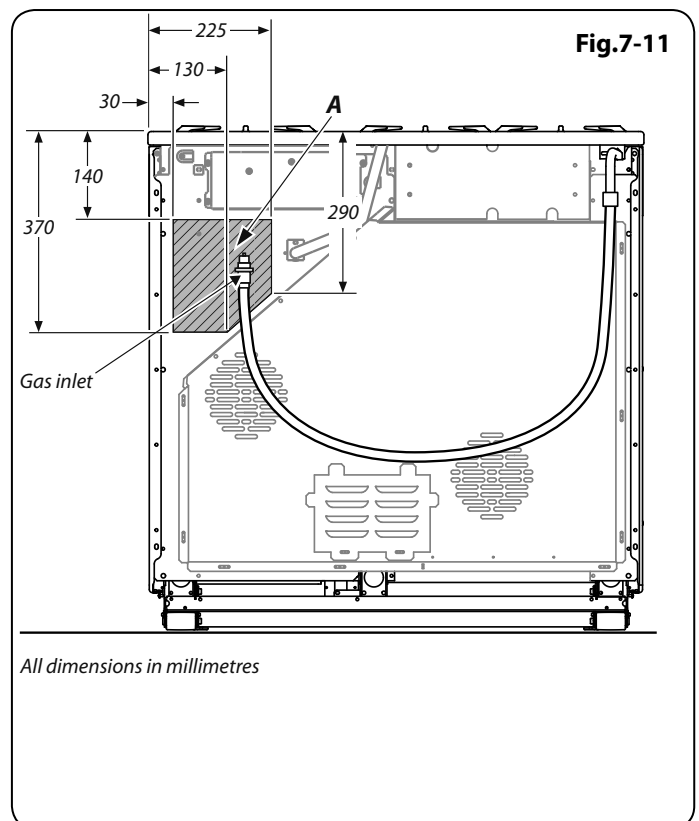
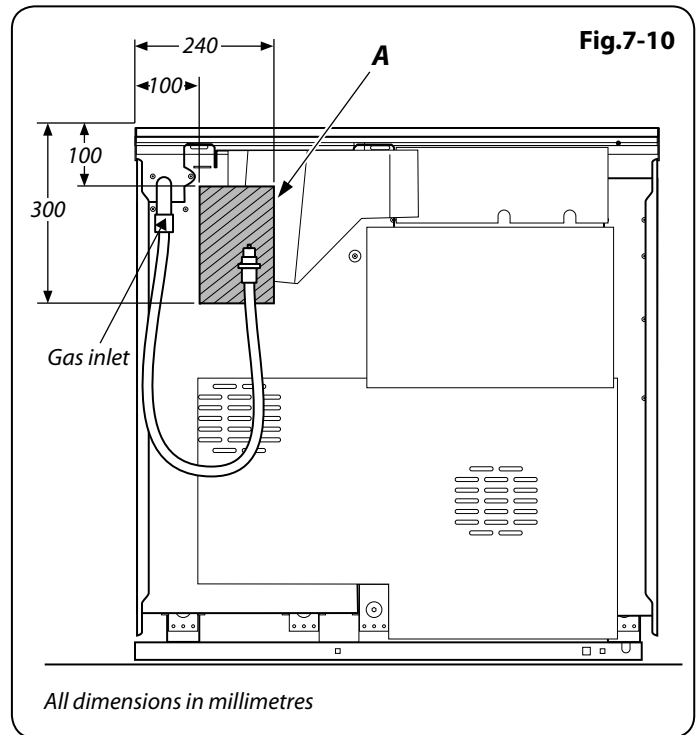
The hose should be fitted so that both inlet and outlet connections are vertical so that the hose hangs downwards in a 'U' shape.

Ideally the hose supply connection should be within the shaded area 'A' (**Fig.7-10** or **Fig.7-11** on Hi-LITE model).

For Natural Gas, the flexible hose must be in accordance with BS 669. For LP Gas, it should be capable of 50 mbar pressure, 70 °C temperature rise, and carry a red stripe, band or label. If in doubt contact, your supplier.

Screw connect the threaded end of the hose into the gas inlet.

After completing the gas connection, make sure that the cooker is gas sound with a pressure test.



INSTALLATION

Check the appliance is electrically safe and gas sound when you have finished.

Fig.7-12

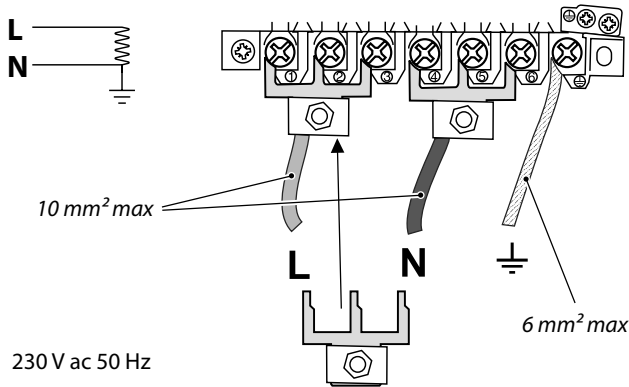
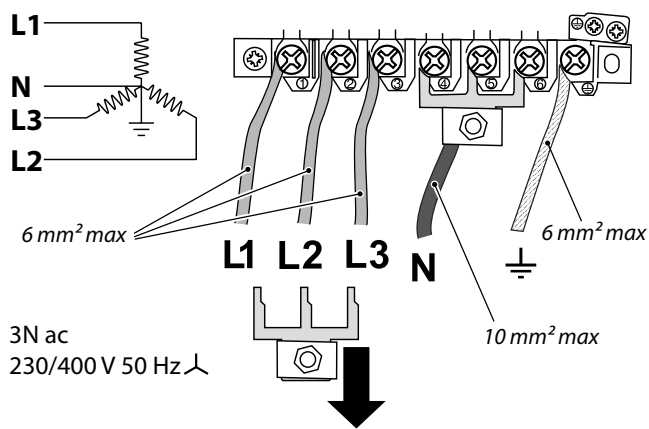


Fig.7-13



Pressure Testing

The gas pressure can be measured at one of the hotplate burner injectors (not a wok burner).

Lift off a burner head. Fit the pressure gauge to the injector. Turn on and light one of the other hotplate burners.

Turn on the control knob for the burner with the pressure gauge fitted to let gas through.

See the data badge for test pressures.

Turn off the burners. Make sure that you reassemble the burner top in the correct way on the burner body.

Electrical Connection

The cooker must be installed by a qualified electrician, in accordance with all relevant British Standards/Codes of Practice (in particular BS 7671), or with the relevant national and local regulations.

Current Operated Earth Leakage Breakers

The combined use of your cooker and other domestic appliances may cause nuisance tripping, so we recommend that the cooker is protected on an individual RCD (Residual Current Device) or RCBO (Residual Current Breaker with Overload).

IF IN DOUBT, PLEASE CONSULT A SUITABLY QUALIFIED ELECTRICIAN.

Note: The cooker must be connected to the correct electrical supply as stated on the voltage label on the cooker, through a suitable cooker control unit incorporating a double-pole switch, having a contact separation of at least 3 mm in all poles.

⚠ The cooker MUST NOT be connected to an ordinary domestic power point.

Access to the mains terminal is gained by removing the electrical terminal cover box on the back panel. Connect the mains cable to the correct terminals for your electrical supply type (**Fig.7-12** and **Fig.7-13**). Check that the links are correctly fitted and that the terminal screws are tight. Secure the mains cable using the cable clamp.

Final Checks

Hotplate Check

Check each burner in turn (refer to the 'Hotplate Burners' section at the front of the instructions).

Grill Check

Turn on the grill control and check that the grill heats up.

Oven Check

Set the clock as described earlier in the instructions, and then turn on the ovens. Check that the oven fans start to turn and that the ovens start to heat up.

Note: The oven light bulb is not included in the guarantee.

Turn off the oven.

INSTALLATION

Check the appliance is electrically safe and gas sound when you have finished.

Final Fitting

Fitting the Handles and Handrail

(Classic Deluxe)

Remove the 4 mm Allen screws from the doors (**Fig.7-14**). Fit the door handles and secure using the 4 mm screws.

⚠ The handles should be above the fixings.

Remove the 4 mm Allen screws from the top corners of the fascia (**Fig.7-15**). Fit the front handrail in position and secure using the 4 mm screws.

Fitting the 1-piece Plinth *(Professional+)*

Loosen the 3 screws along the front bottom edge of the cooker. Hook the central keyhole over the central screw. Twist and fit each end keyhole over their respective screws. Tighten the fixing screws (**Fig.7-16**).

Fitting the 2-piece Plinth

Fit the inner plinth to the bottom front of the cooker using the 4 or 5 screws provided (**Fig.7-17**).

Classic Deluxe & Kitchener: Fit the outer plinth (2 screws, 1 each end) to the inner plinth. The height of the outer plinth can be adjusted by sliding it up or down via the slotted hole (**Fig.7-18**).

Hi-LITE: Offer the keyhole slots on the outer plinth to the location points on the inner plinth (**Fig.7-19**).

Upon release the outer plinth should automatically adjust to the floor height

⚠ WARNING: When moving the cooker ensure that the outer plinth is removed. Failure to do so may result in damage to plinth and floor.

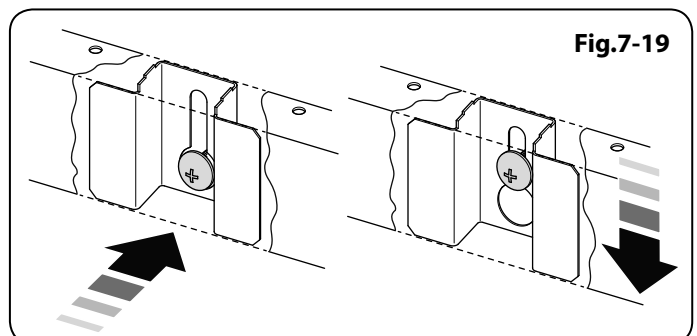
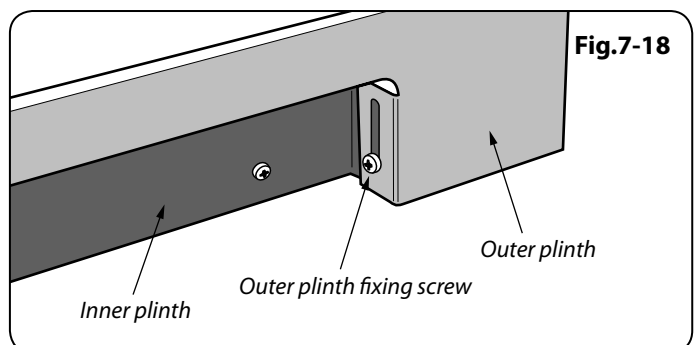
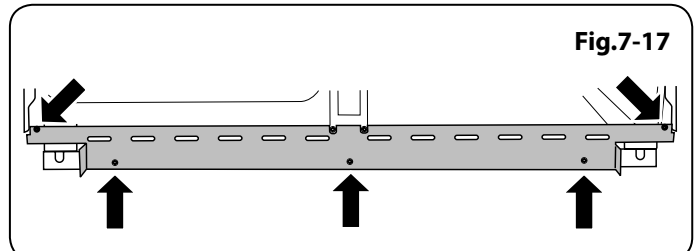
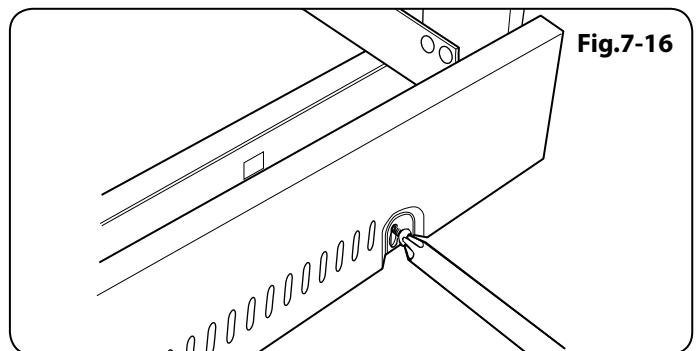
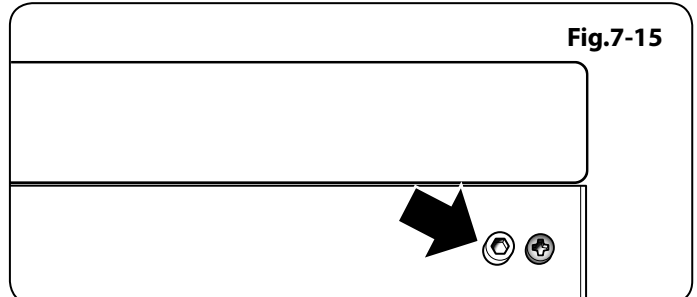
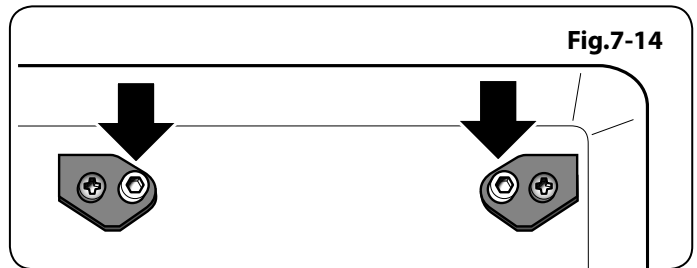
Fitting the Splashback *(Classic Deluxe only)*

Position the splashback on the rear of the hotplate and secure with the screws supplied.

Customer Care

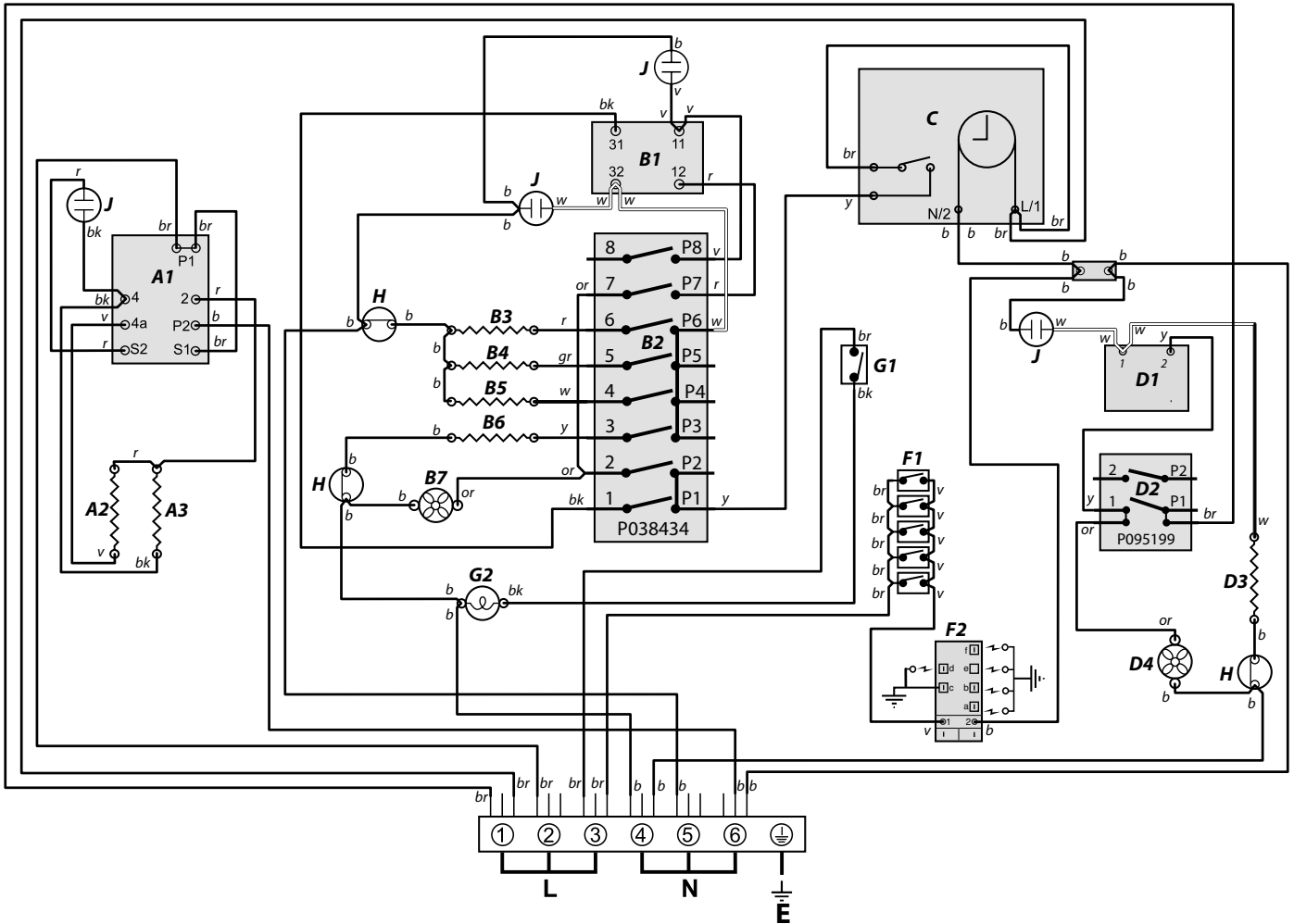
Installer: Please complete your details in this guide, inform the user how to operate the cooker and hand over the instructions.

Thank you.



8. Circuit Diagram

Circuit Diagram: Classic Deluxe



Key

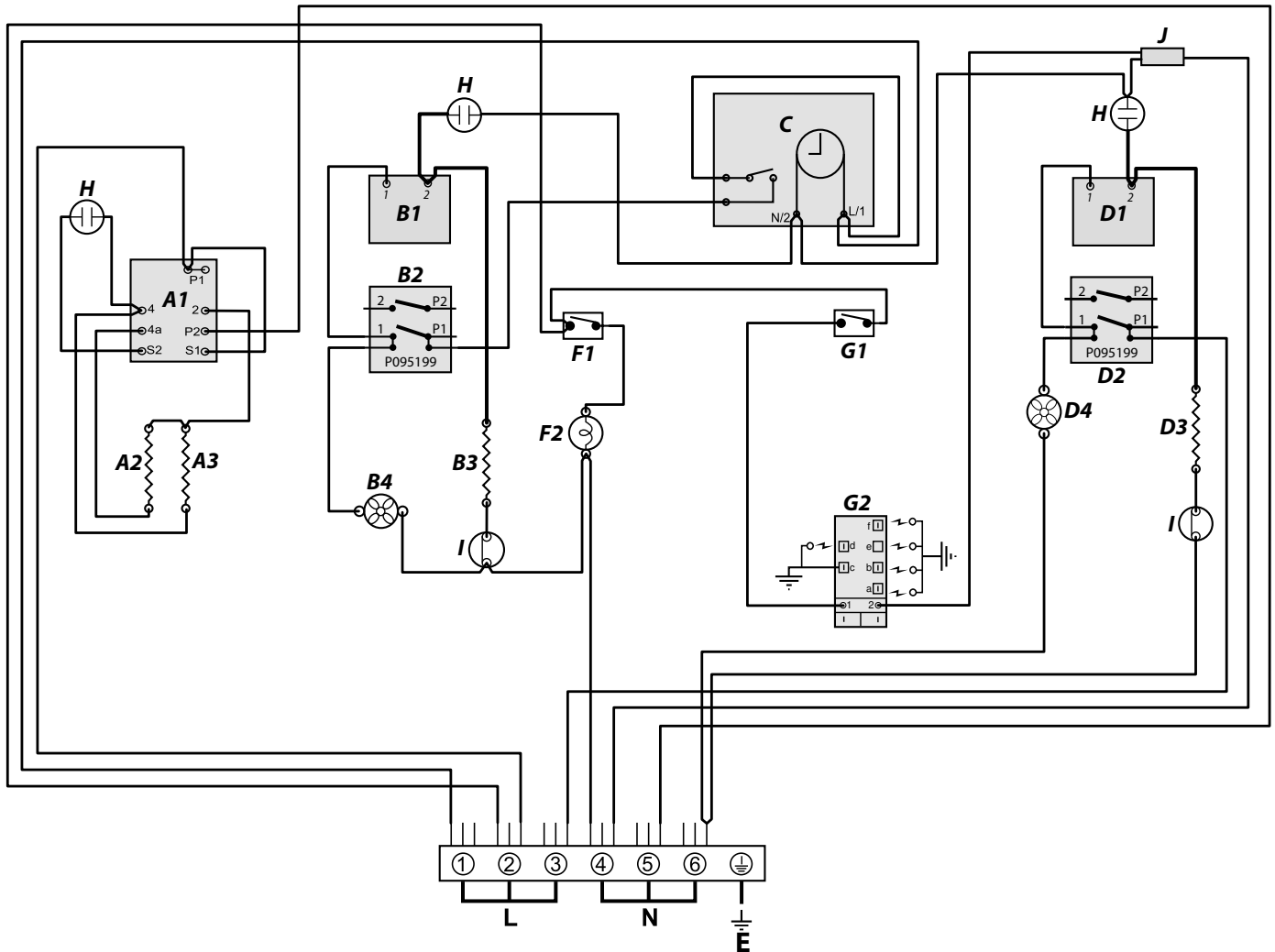
The connections shown in the circuit diagram are for single-phase. The ratings are for 230V 50Hz.

| Code | Description |
|-----------|---|
| A1 | Grill control |
| A2 | Grill element left-hand side |
| A3 | Grill element right-hand side |
| B1 | Left-hand multi-function oven thermostat |
| B2 | Left-hand multi-function oven function control |
| B3 | Left-hand multi-function oven base element |
| B4 | Left-hand multi-function oven top element (outer pair) |
| B5 | Left-hand multi-function oven browning element (inner pair) |
| B6 | Left-hand multi-function oven fan element |
| B7 | Left-hand multi-function oven fan |
| C | Clock/oven timer |

| Code | Description |
|-----------|------------------------------------|
| D1 | Right-hand fan oven thermostat |
| D2 | Right-hand fan oven control switch |
| D3 | Right-hand fan oven element |
| D4 | Right-hand fan oven fan |
| F1 | Ignition switch |
| F2 | Ignition generator |
| G1 | Oven light switch |
| G2 | Oven light |
| H | Thermal cut-out |
| J | Neon |

| Code | Colour |
|------------|--------------|
| b | Blue |
| br | Brown |
| bk | Black |
| or | Orange |
| r | Red |
| v | Violet |
| w | White |
| y | Yellow |
| g/y | Green/yellow |
| gr | Grey |

Circuit Diagram: Professional+ and Kitchener



Key

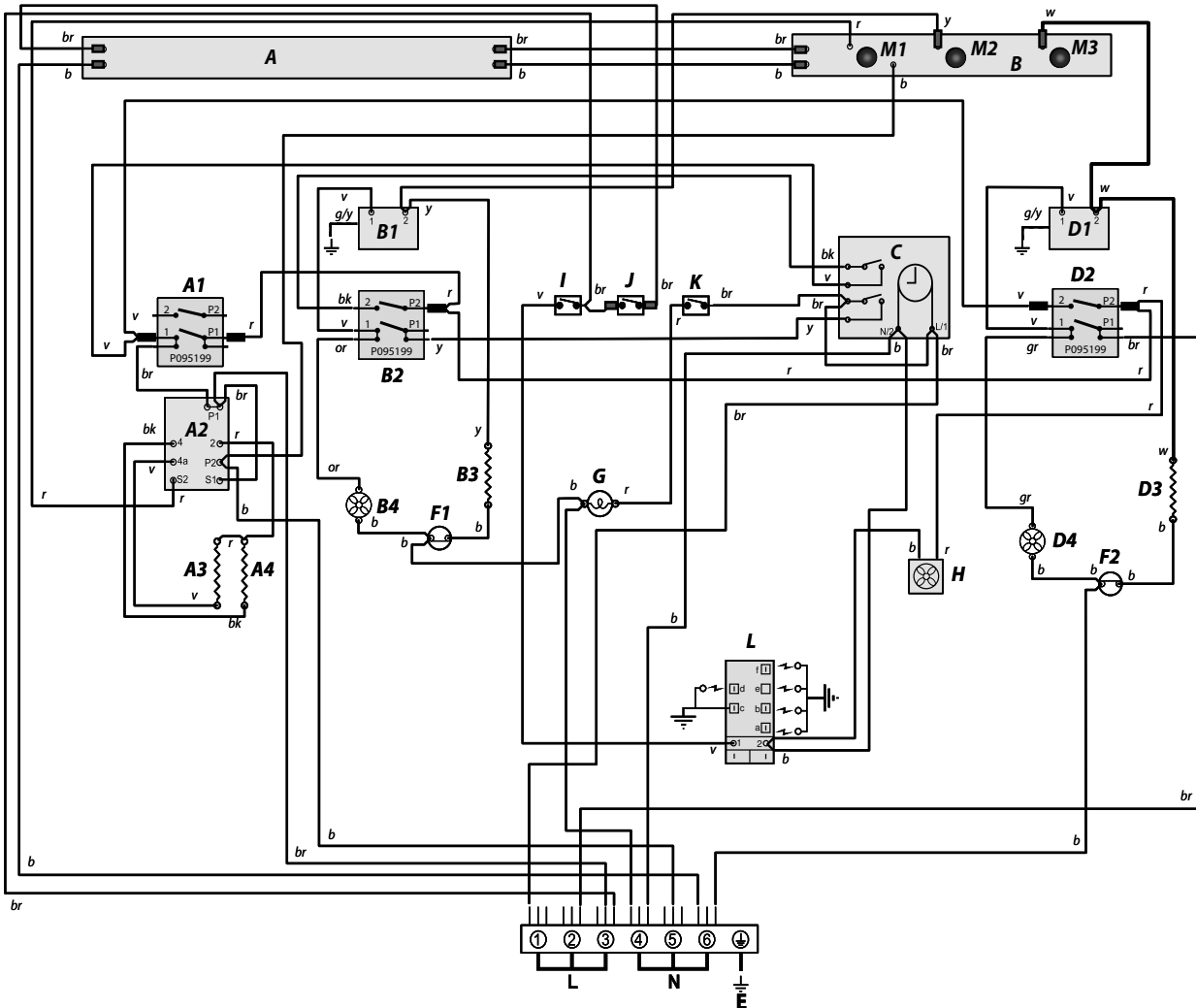
The connections shown in the circuit diagram are for single-phase. The ratings are for 230V 50Hz.

| Code | Description |
|-----------|--------------------------------|
| A1 | Grill control |
| A2 | Grill element right-hand side |
| A3 | Grill element left-hand side |
| B1 | Left-hand fan oven thermostat |
| B2 | Left-hand fan oven control |
| B3 | Left-hand fan oven element |
| B4 | Left-hand fan oven fan |
| C | Clock |
| D1 | Right-hand fan oven thermostat |
| D2 | Right-hand fan oven control |
| D3 | Right-hand fan oven element |
| D4 | Right-hand fan oven fan |

| Code | Description |
|-----------|--------------------------|
| F1 | Oven light switch |
| F2 | Oven lamp |
| G1 | Ignition switch |
| G2 | Ignition spark generator |
| H | Neon |
| I | Thermal cut-out |
| J | Connector |

| Code | Colour |
|------------|--------------|
| b | Blue |
| br | Brown |
| bk | Black |
| or | Orange |
| r | Red |
| v | Violet |
| w | White |
| y | Yellow |
| g/y | Green/yellow |
| gr | Grey |

Circuit Diagram: Hi-LITE



Key

The connections shown in the circuit diagram are for single-phase. The ratings are for 230V 50 Hz.

| Code | Description |
|-----------|------------------------------------|
| A | Left-hand side illumination board |
| A1 | Grill front switch |
| A2 | Grill energy regulator |
| A3 | Left-hand grill elements |
| A4 | Right-hand grill elements |
| B | Right-hand side illumination board |
| B1 | Left-hand oven thermostat |
| B2 | Left-hand front switch |
| B3 | Left-hand oven element |
| B4 | Left-hand oven fan |
| F1 | Left-hand oven thermal cut-out |
| C | Clock |
| D1 | Right-hand oven thermostat |

| Code | Description |
|-----------|---------------------------------|
| D2 | Right-hand oven front switch |
| D3 | Right-hand oven element |
| D4 | Right-hand oven fan |
| F2 | Right-hand oven thermal cut-out |
| G | Oven light |
| H | Cooling fan |
| I | Ignition switch |
| J | Illumination switch |
| K | Oven light switch |
| L | Spark generator |
| M1 | Grill heat indicator |
| M2 | Left-hand oven heat indicator |
| M3 | Right-hand oven heat indicator |

| Code | Colour |
|------------|--------------|
| b | Blue |
| br | Brown |
| bk | Black |
| or | Orange |
| r | Red |
| v | Violet |
| w | White |
| y | Yellow |
| g/y | Green/yellow |
| gr | Grey |

9. Technical Data

THE COOKER IS CATEGORY: Cat II2H3+; Cat II2E+3+; Cat II2L3B/P; Cat II 2E3B/P; Cat II2H3B/P; Cat II2ELL3B/P.

It is supplied set for group H natural gas. A conversion kit from NG to LP is available for the cooker.

INSTALLER: Please leave these instructions with the User.

DATA BADGE LOCATION: Cooker back, serial number repeater badge below oven door opening.

COUNTRY OF DESTINATION: GB, IE, FR, BE, NL, DE, SE, AT, CH, LU.

Connections

| Gas (Rp ½ at rear right-hand side) | | Electric |
|------------------------------------|---------|----------------|
| Natural gas | 20 mbar | 230/400V 50 Hz |
| Butane | 29 mbar | |
| Propane | 37 mbar | |

See the appliance badge for test pressures.

Dimensions

| | | |
|-----------------------------------|---|----------------|
| Overall height | minimum 905 mm | maximum 930 mm |
| Overall width | 900 mm | |
| Overall depth | 600 mm (to fascia); 650 mm (over handles) | |
| Minimum height above the hotplate | 650 mm | |

Refer to 'Positioning the Cooker'.

Ratings

| Hotplate | Bypass Screw* | Natural Gas 20 mb | | L.P. Gas | |
|---------------|---------------|-------------------|--------------|------------------|-------------|
| | | | Injector | | Injector |
| Wok burner | 57 | 3.5 kW | internal 78 | 3.5 kW (246 g/h) | internal 53 |
| | | | external 126 | | external 82 |
| Large burner | 40 | 3.0 kW | 134 | 3.0 kW (210 g/h) | 87 |
| Medium burner | 32 | 1.7 kW | 109 | 1.7 kW (119 g/h) | 68 |
| Small burner | 28 | 1.0 kW | 75 | 1.0 kW (70 g/h) | 51 |

* The valves in this cooker are fitted with adjustable bypass screws. The cooker is supplied with the bypass screws set for Natural gas. For LPG conversion the bypass screws must be screwed all the way down.

Oven Efficiency

| Ovens | Main Oven | | Tall Oven |
|--|-----------------------|---|-----------------------|
| | Forced Air Convection | Multi-function (with Rapid Response) | Forced Air Convection |
| Maximum power output @ 230V 50 Hz | 2.5 kW | 3.7 kW | 2.5 kW |
| Energy efficiency class on a scale of A (more efficient) to G (less efficient) | A | A | A |
| Energy consumption based on standard load | 0.90 kWh | 0.95 kWh | 0.99 kWh |
| Usable volume (litres) | 69 | 69 | 66 |
| Size | Large | Large | Large |
| Time to cook standard load | 38 minutes | 41 minutes | 49 minutes |
| Surface area of the grid | 1400 cm ² | 1400 cm ² | 790 cm ² |

| | |
|-------|--------|
| Grill | 2.3 kW |
|-------|--------|

Maximum total electrical load at 230V (approximate total including oven lights, oven fan, etc.)

Fan oven variant: 7.4 kW.

Multi-function oven (with rapid response) variant: 8.6 kW.

AGA RANGEmaster

Clarence Street, Royal Leamington Spa,
Warwickshire, CV31 2AD, England.

Tel: +44 (0) 1926 457400 Fax: +44 (0) 1926 450526

E-mail: consumers@falconappliances.co.uk

